

Parabolic antenna JRMC - 900 -24/26

Antenna JRMC – 900 – 24/26 is designed for microwave links at the frequency band 24 and 26 GHz. Precise performance with deep reflector dish complies with standard ETSI class 3 and FCC cat. A.

Electrical parameters:

Frequency range	24.0 – 26.5 GHz
Gain – Low frequency	44.0 ± 1 dBi
Gain – High frequency	45.0 ± 1 dBi
Front to back ratio	≥ 71 dB
Beamwidth _{-3 dB}	0.9°
Return loss (VSWR)	≥ 18 dB
Polarization	Linear, vertical/horizontal
Electrical Compliance	US FCC Cat. A Class 3 ETSI EN 302-217-4-2 v1.5.1

Mechanical parameters:

Parabola	Ø 900 mm , aluminium alloy
Radome	UV steady plastic ABS
Input / output	Circle waveguide Ø 8 mm
Installation for mast	Ø 40 – 120 mm
Operating wind load	140 km/h (87 mph)
Survival wind load	210 km/h (130 mph)
Weight of antenna	9.8 kg (21.7 lbs.)
of holder	3.2 kg (7 lbs.)
Shipping dimensions	990 x 990 x 430 mm / 18.3 kg (40.2 lbs.)

Parabolic antenna JRMC - 900 -24/26

Usage:

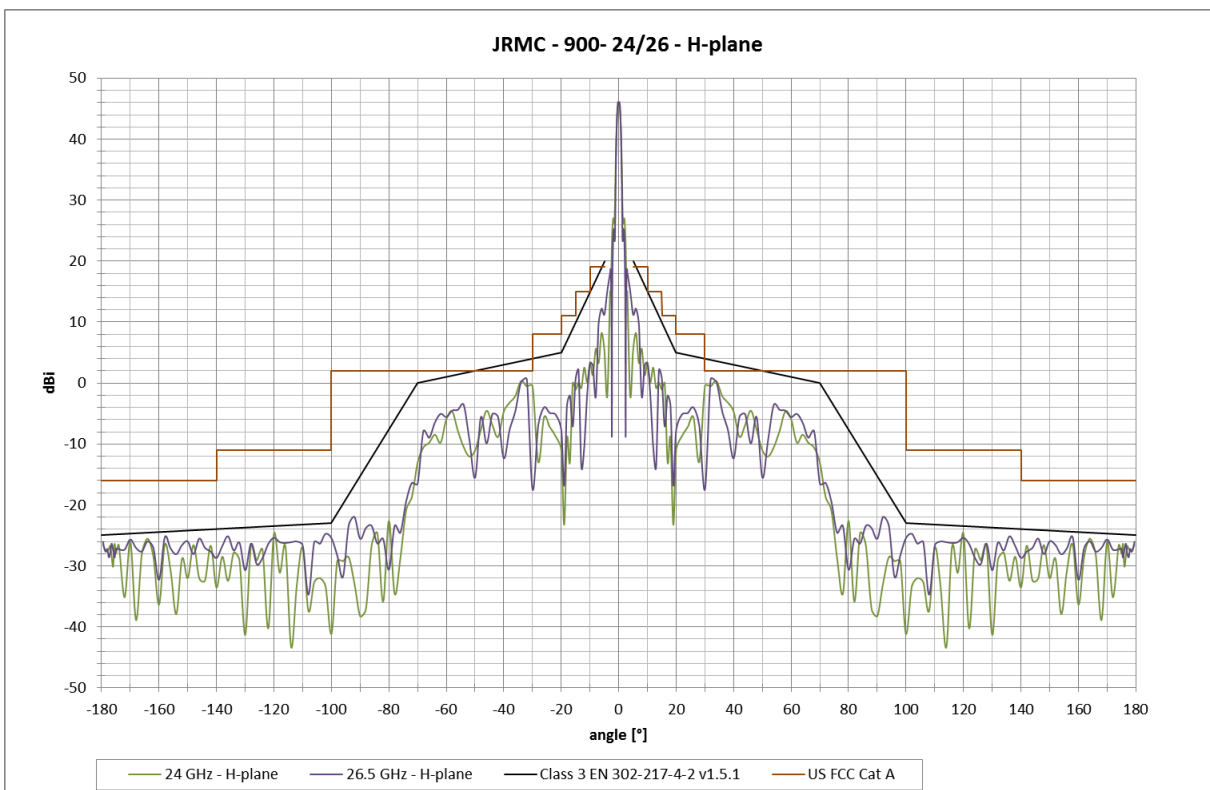
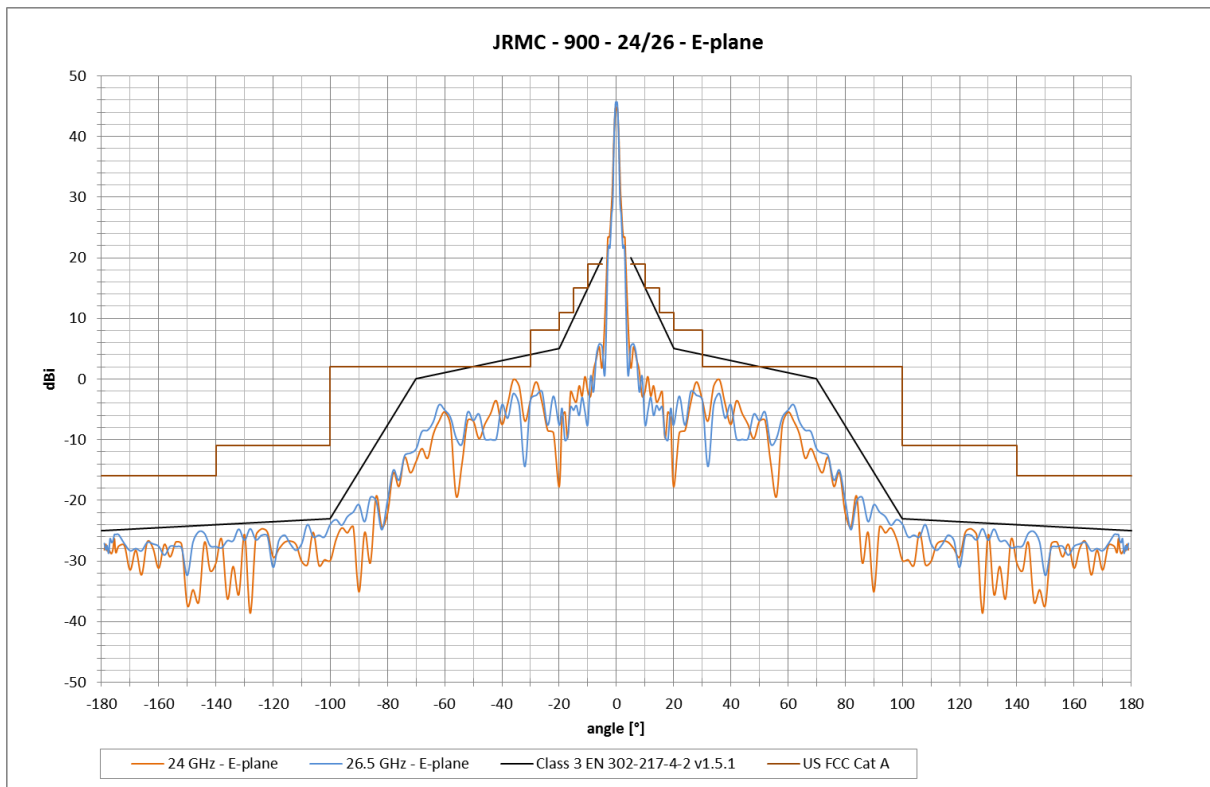
- deep parabola for better parameters
- **easy to assembly:** first the holder and then the antenna only by 2 screws
- **fine setting** elevation (of gradient) and azimuth $\pm 20^\circ$
- extreme wind stability

The antenna is supplied with a holder that allows easy mounting on a mast. The holder can be installed separately on the mast. Subsequently, you can simply hang up the antenna with microwave unit into it. The holder allows precise adjustment in both directions. Ready for right and left side mounting.

In the areas with the expected occurrence of the strong winds mounting on the mast with minimal \varnothing 70 mm is recommended.

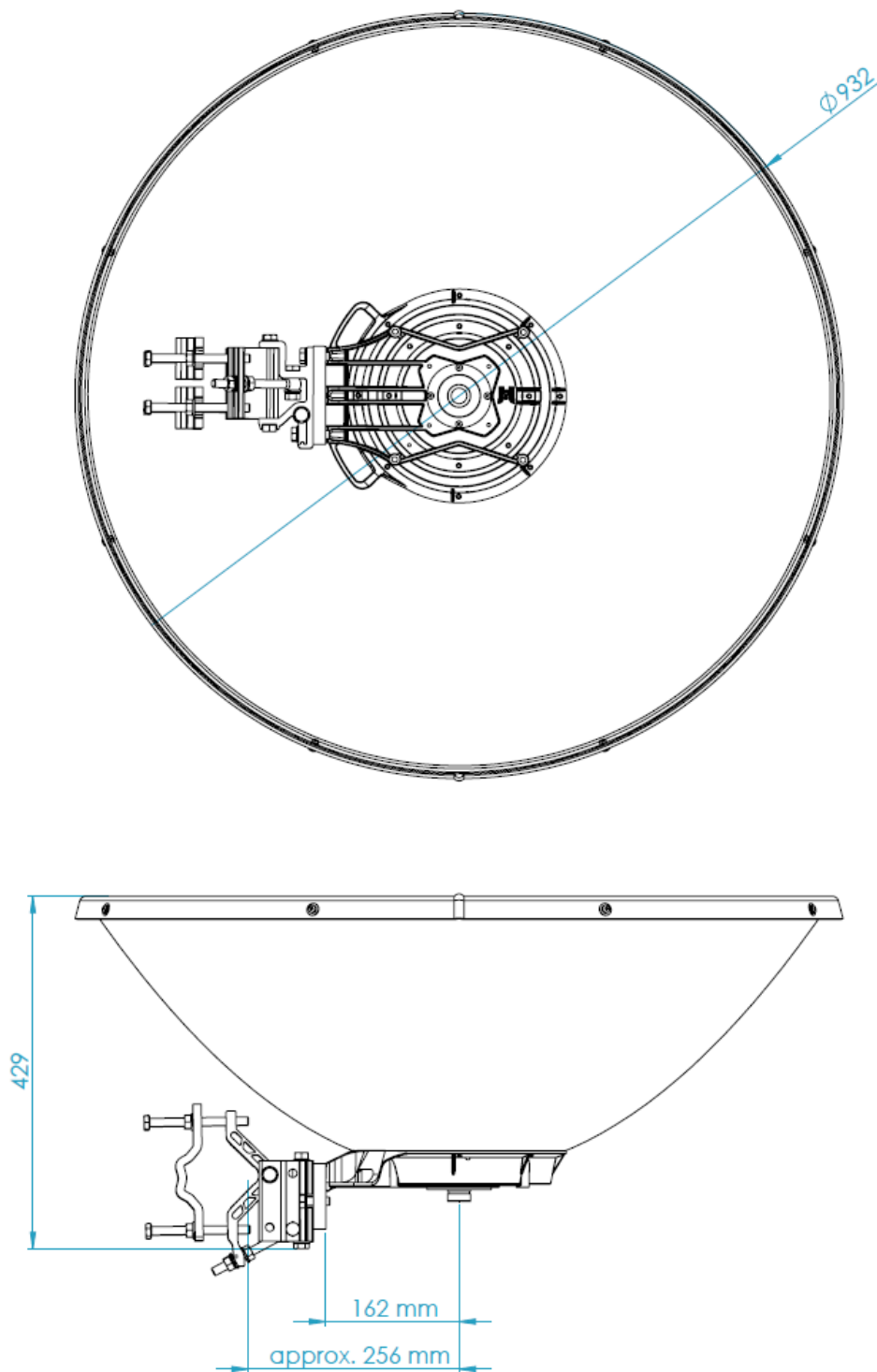
Parabolic antenna JRCM - 900 -24/26

Measurement of radiation pattern:



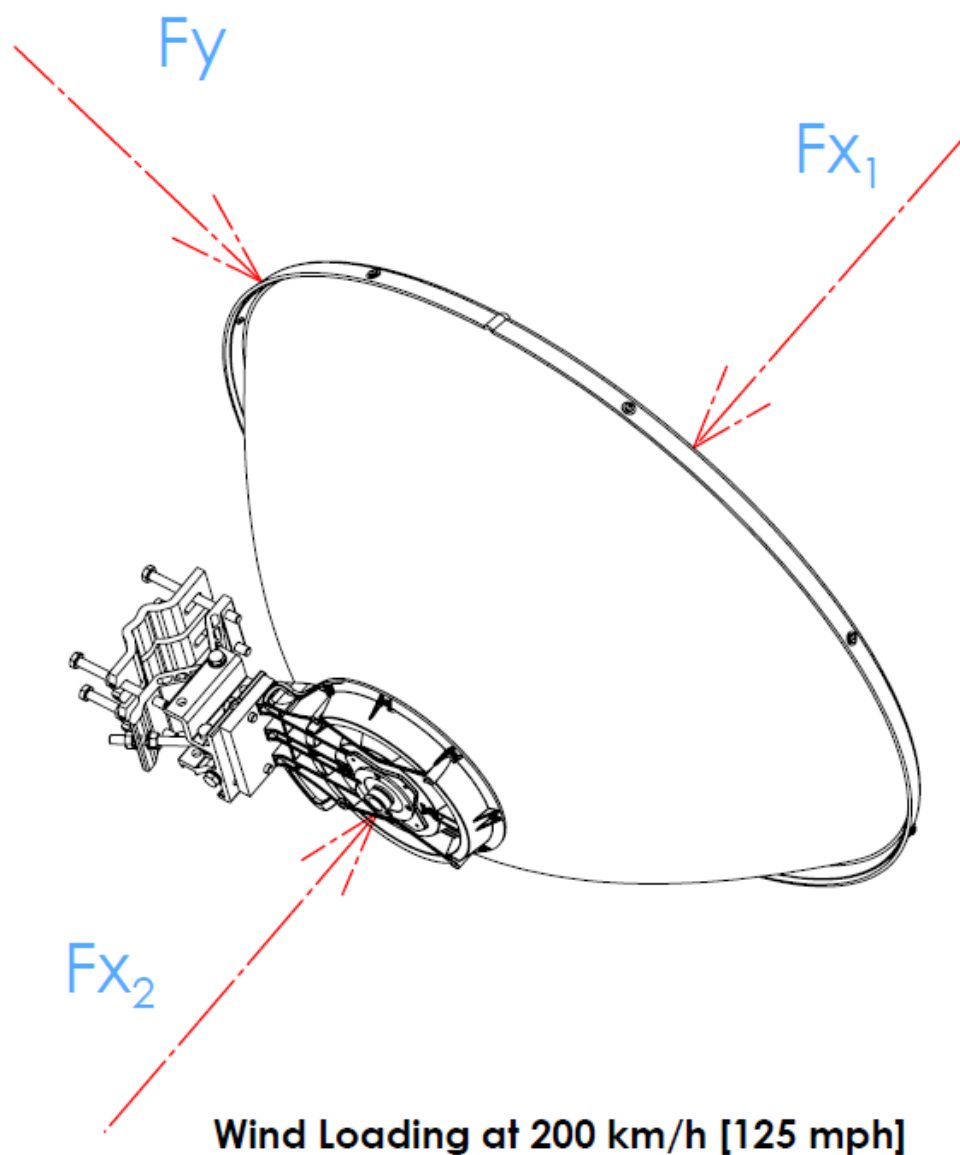
Parabolic antenna JPMC - 900 -24/26

Outline:



Parabolic antenna JRMC - 900 -24/26

Wind loading:



Direction	Force [N]	Force [lbf]
F_{X_1}	1443	324,4
F_{X_2}	1324	297,4
F_y	91	20,4