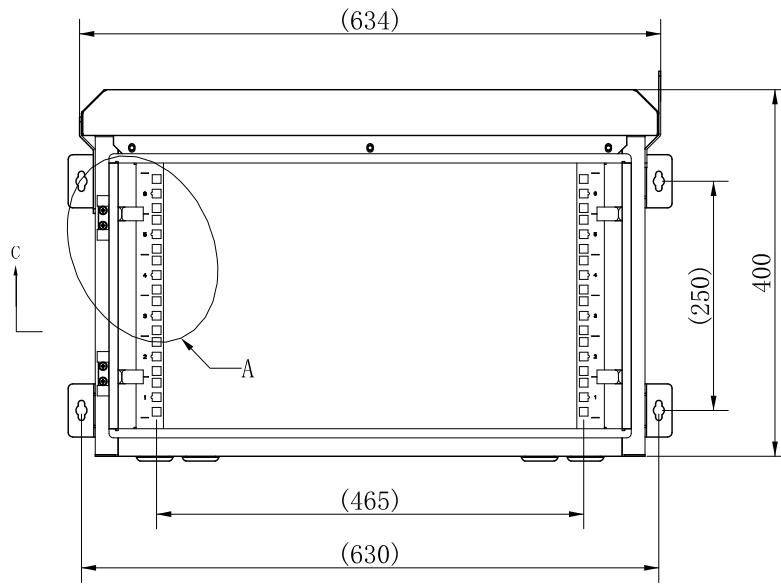
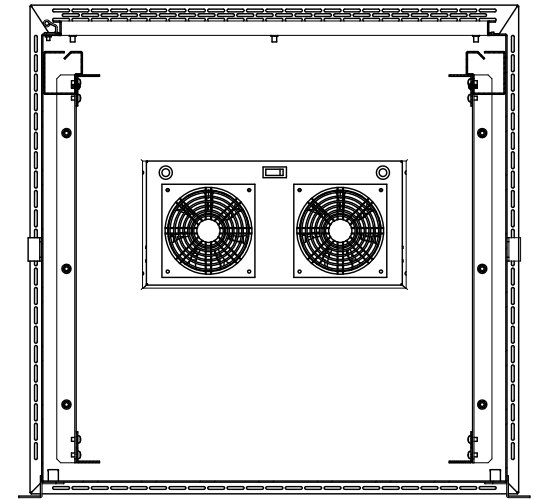


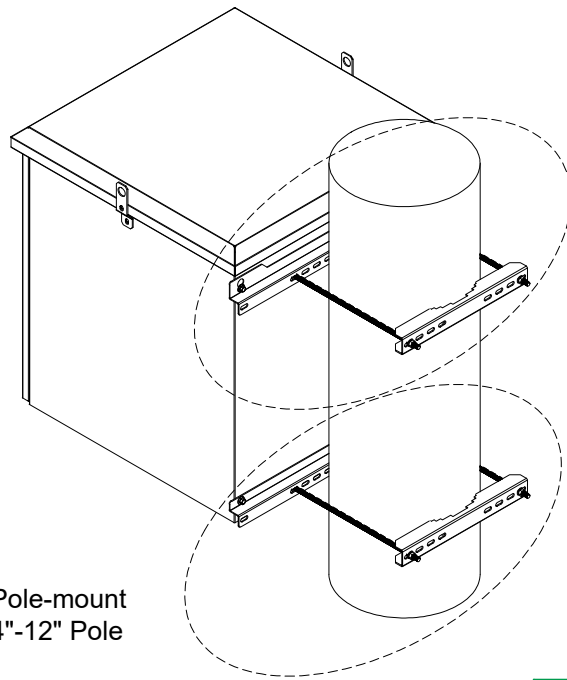
Side View



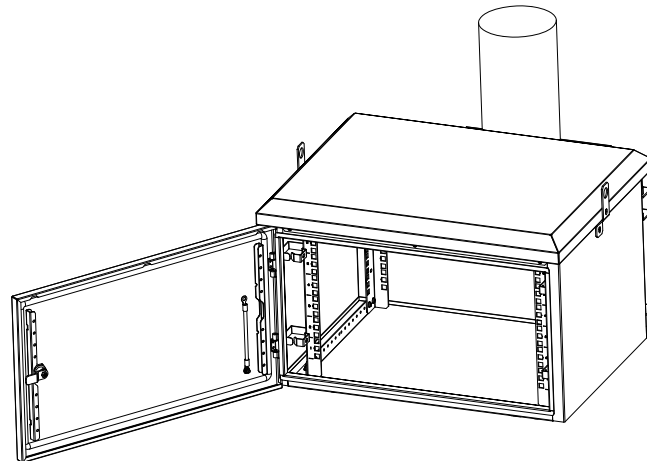
Front View



Top View



Pole-mount
4"-12" Pole



Description

6RU Outdoor Pole Mount, Lockable, 17.72" Deep, Grey, IP45

NOTES:

1. INSTALLATION SHALL BE COMPLY WITH ALL APPLICABLE NATIONAL STATE AND LOCAL ELECTRICAL REGULATIONS.
2. REFER TO PRODUCT DOCUMENTATION FOR ADDITIONAL DETAILS PRIOR TO INSTALLATION AND SITE PREPARTION WORK.
3. ALL DIMENSIONS ARE IN MILLIMETERS [MM].

THIS DRAWING AND SPECIFICATIONS HEREIN ARE THE PROPERTY OF MAXXWAVE AND SHALL NOT BE COPIED, REPRODUCED OR USED IN WHOLE OR IN PART, AS THE BASIS OF THE MANUFACTURE OR SALE OR ITEMS WITHOUT WRITTEN PERMISSION FROM MAXXWAVE. THIS DRAWING IS BASED UPON LATEST AVAILABLE INFORMATION AND IS SUBJECT TO CHANGE WITHOUT NOTICE.



TITLE:	DWG NO.:	REV:A0
Pole-Mount Outdoor Enclosure	MW-PM6UO	FIRST ANGLE PROJECTION
PROJECT: Submittal Drawings	SHEET 1 OF 1	