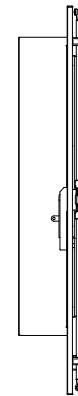
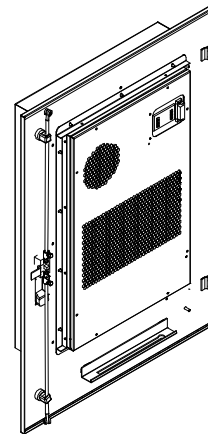
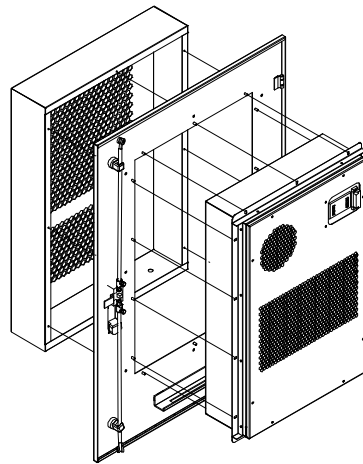
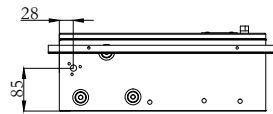


Cutout hole and mounting holes (unit:mm)



Installation Steps

Description

800W AC Unit for MW-CAB20-DC48V,AC110V power supply

NOTES:

1. INSTALLATION SHALL COMPLY WITH ALL APPLICABLE NATIONAL, STATE AND LOCAL ELECTRICAL REGULATIONS.
2. REFER TO PRODUCT DOCUMENTATION FOR ADDITIONAL DETAILS PRIOR TO INSTALLATION AND SITE PREPARATION WORK.
3. ALL DIMENSIONS ARE IN MILLIMETERS [MM].

THE DRAWINGS AND SPECIFICATIONS HEREIN ARE THE PROPERTY OF MAXXWAVE AND SHALL NOT BE COPIED, REPRODUCED OR USED IN WHOLE OR IN PART, AS THE BASIS FOR THE MANUFACTURE OR SALE OF ITEMS WITHOUT WRITTEN PERMISSION FROM MAXXWAVE. THIS DRAWING IS BASED UPON LATEST AVAILABLE INFORMATION AND IS SUBJECT TO CHANGE WITHOUT NOTICE.



TITLE:		DWG NO.:	REV:A0
AIR CONDITIONER		MW-CAB20-800WAC	FIRST ANGLE PROJECTION
PROJECT:	Submittal Drawings	SHEET 1 OF 1	