

# Maxxwave 24V 802.3af/at/bt 26,400 mAh Gigabit PoE++ Power Bank

MW-BPOE++

## “26,400 mAh of power in your hands”

### OVERVIEW

The Maxxwave MW-BPOE++ Power Bank is the perfect accessory for any WISP technician or wireless engineer. Power your devices with USB-A, USB-C, 24V PoE, and PoE++ (802.3bt). Carry 26,400 mAh of power with you up a tower to remotely power your devices. The Maxxwave MW-BPOE++ is temperature resistant and also features protection from various factors such as input overvoltage, output overvoltage, short circuit, and incorrect insertion.

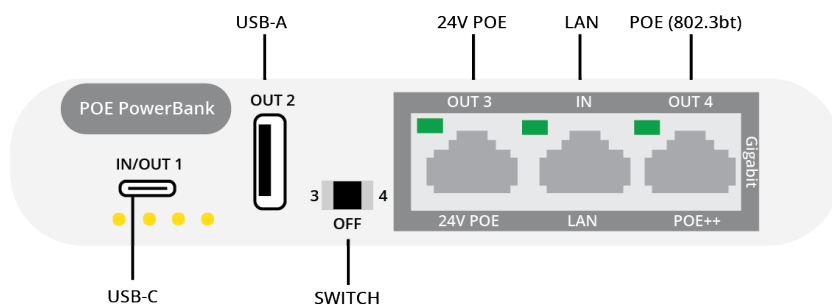
### PRODUCT SPECIFICATIONS:

- Ports:
  - USB-C (In/ Out)
  - USB-A (Out)
  - 24V PoE (Out)
  - LAN (In)
  - PoE++ 802.3af/at/bt (Out)
- LAN (RJ45 Gigabit)
- PoE Output: 802.3af/at/bt 24V Gigabit PoE
- USB-A Output: 5V/3A, 9V/2A, 12V/1.5A 18W (max.)
- LED: Battery Indicator Light (100%, 75%, 50%, 25%)
- USB-C (Input/ Output)
  - USB-C Input: 5V/3A, 9V/3A, 12V/3A, 15V/3A, 20V/3A
  - USB-C Output: 5V/3A, 9V/3A, 12V/3A, 15V/3A, 20V/3A, PPS 3.3-21V/3A
- Battery Type: Lithium Polymer
- Battery Capacity: 26,400mAh/ 98Wh
- Recharging Time: 3Hrs



### KEY FEATURES

- Temperature Resistance
- Input overvoltage protection
- Output overvoltage protection
- Protection from short circuit
- Protection from incorrect insertion
- Protection from overcharge and over-discharge
- Protection from output overcurrent
- PTC protective circuits for the cell



### Product Includes



Hard shell carrying case