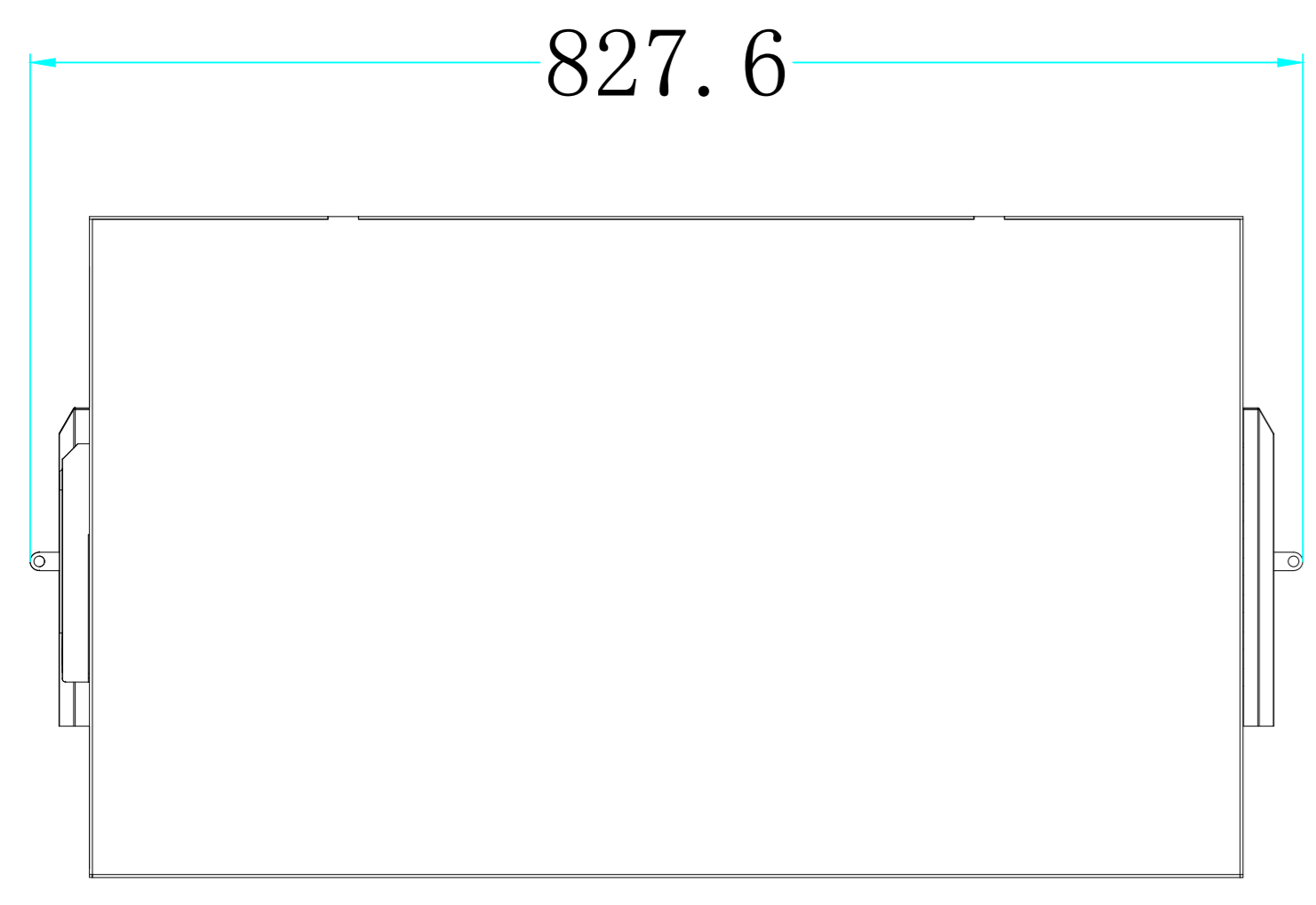
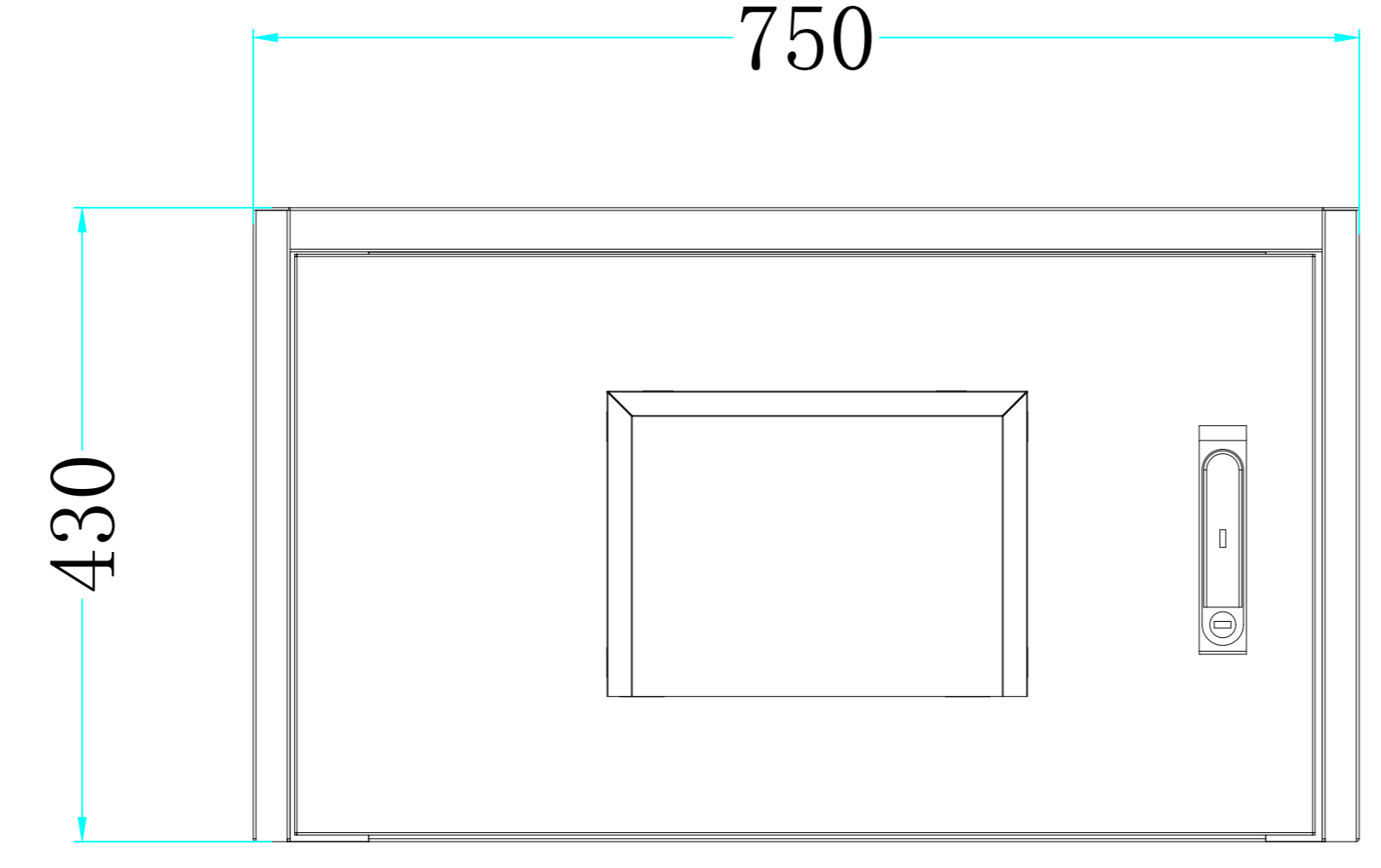


6 5 4 3 2 1

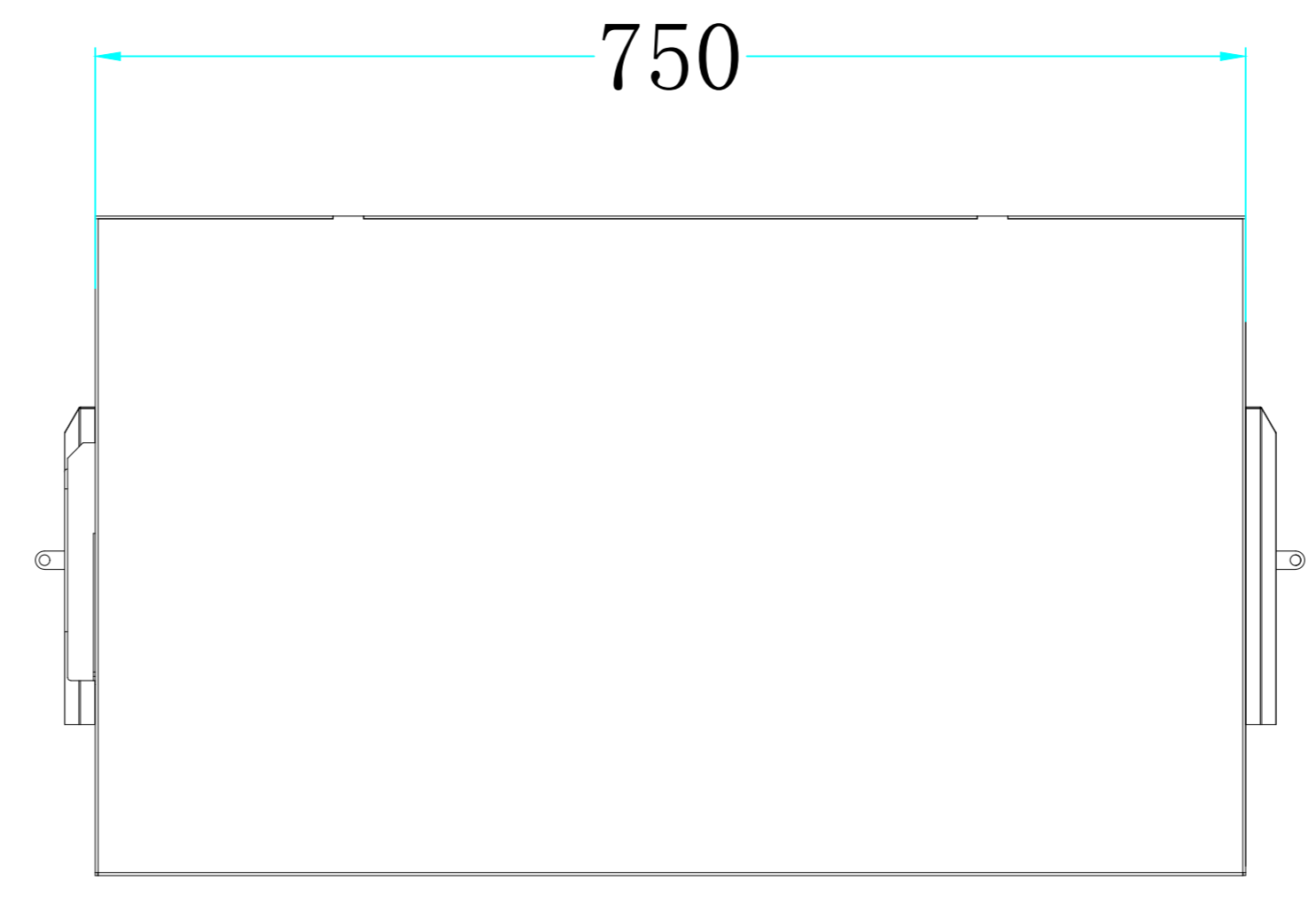
D



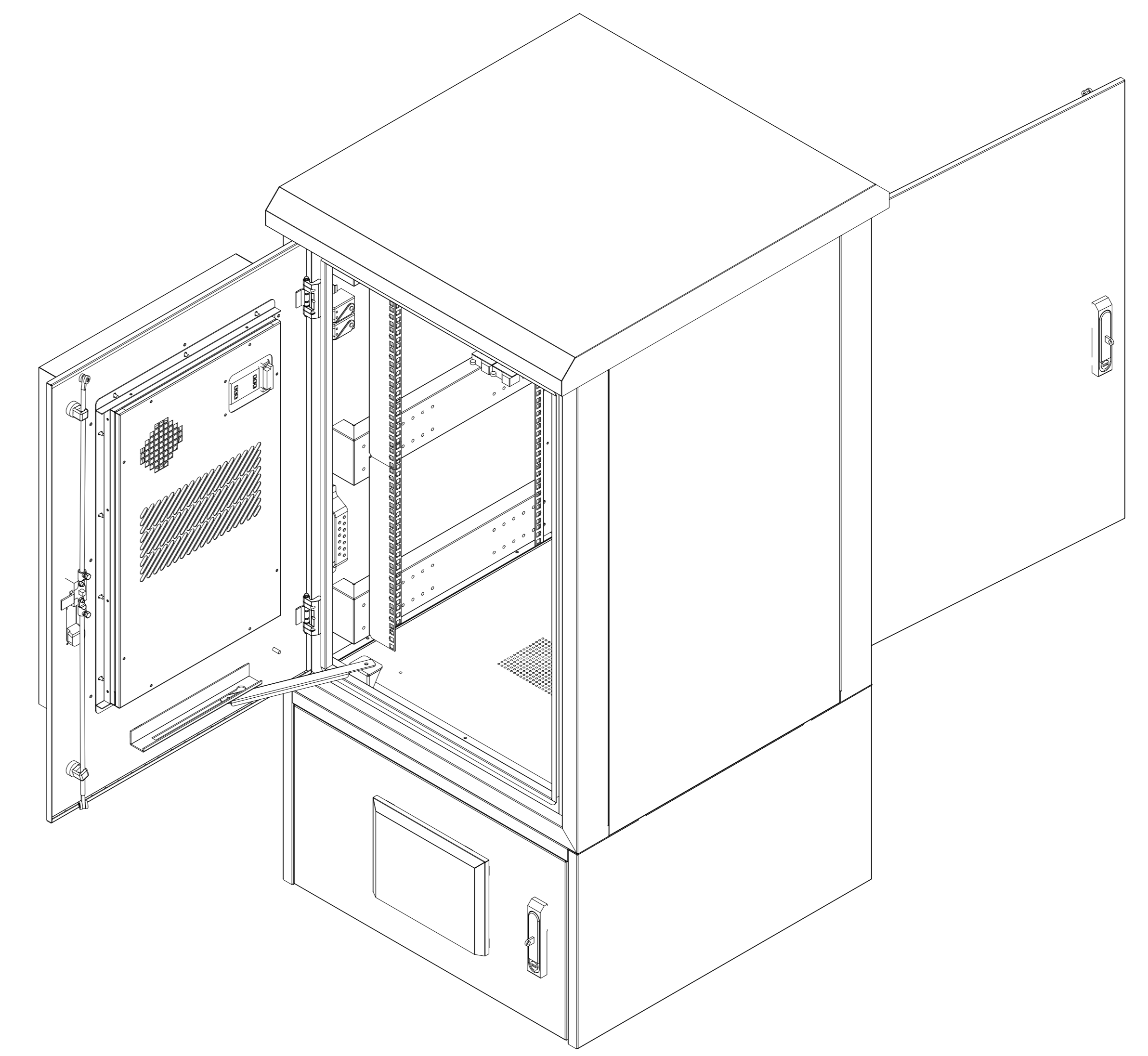
Side view



Front view

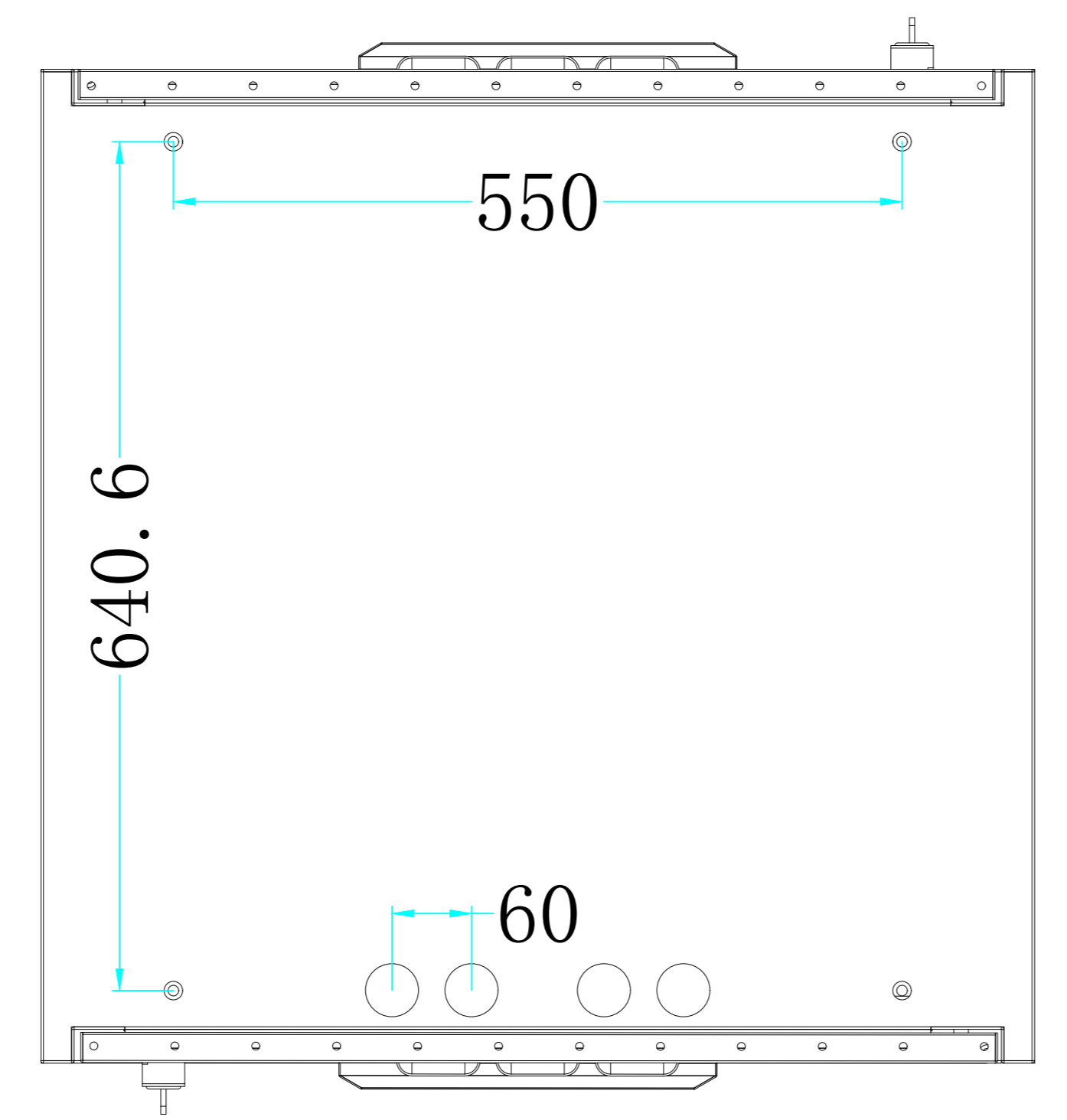


C

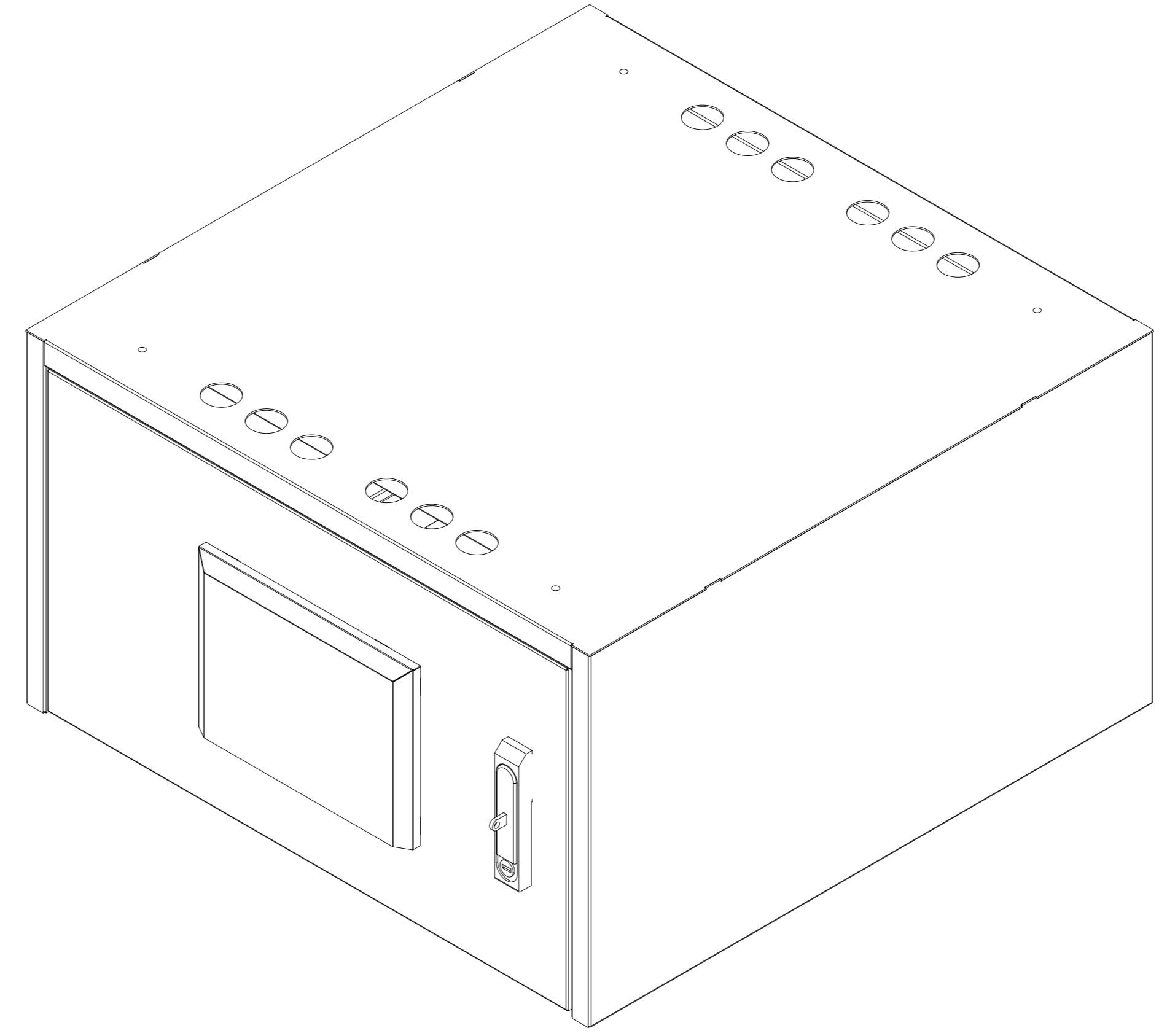


Mounted with outdoor cabinet

B



Bottom view



Description:

17inch Outdoor Battery Box for MW-CAB20-DC48V, IP55

- NOTES:
 1. INSTALLATION SHALL COMPLY WITH ALL APPLICABLE NATIONAL, STATE AND LOCAL ELECTRICAL REGULATIONS.
 2. REFER TO PRODUCT DOCUMENTATION FOR ADDITIONAL DETAILS PRIOR TO INSTALLATION AND SITE PREPARATION WORK.
 3. ALL DIMENSIONS ARE IN MILLIMETERS [MM].

A

A

THIS DRAWING AND SPECIFICATIONS HEREIN ARE THE PROPERTY OF MAXXWAVE AND SHALL NOT BE COPIED, REPRODUCED OR USED IN WHOLE OR IN PART, AS THE BASIS FOR THE MANUFACTURE OR SALE OF ITEMS WITHOUT WRITTEN PERMISSION FROM MAXXWAVE. THIS DRAWING IS BASED UPON LATEST AVAILABLE INFORMATION AND IS SUBJECT TO CHANGE WITHOUT NOTICE.



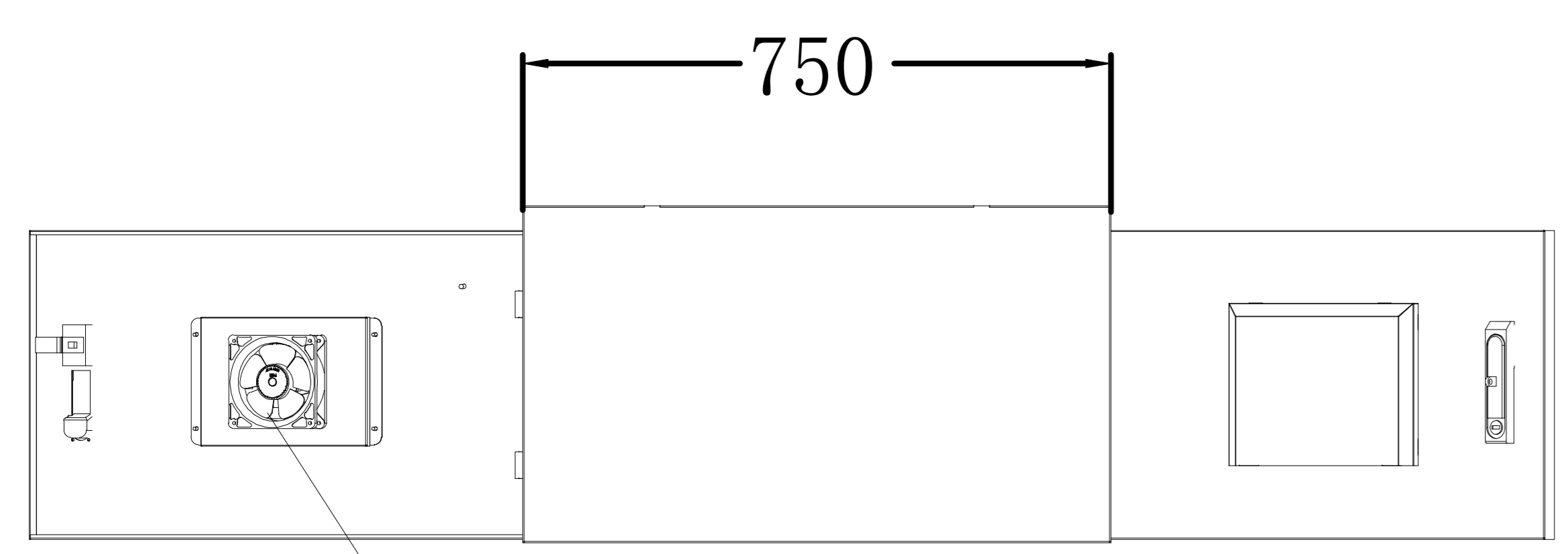
TITLE:		DWG NO.:	REV:A0
Outdoor Floor Mount Cabinet		MW-BATBOX17	FIRST ANGLE PROJECTION
PROJECT:	Submittal Drawings	SHEET 1 OF 2	

6 5 4 3 2 1 A4

6 5 4 3 2 1

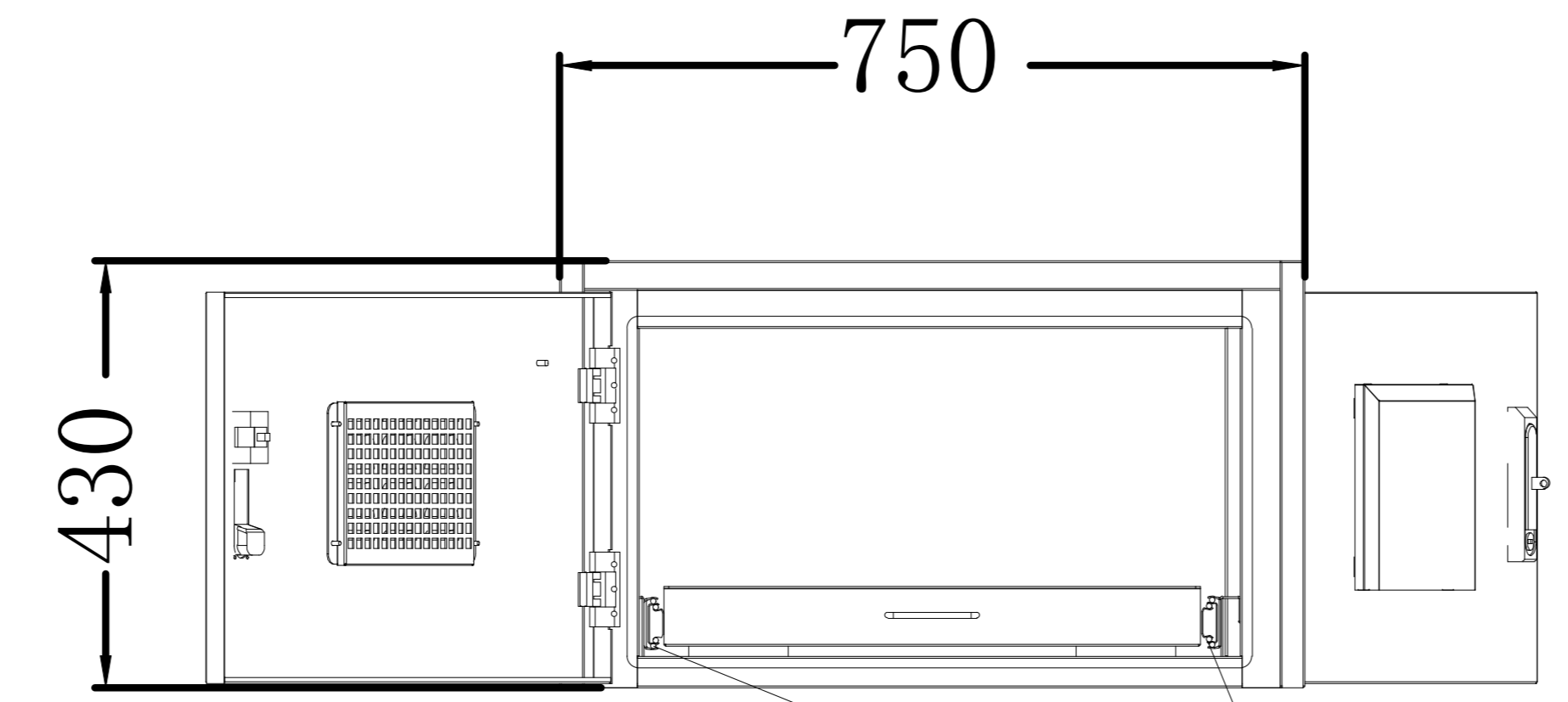
D

D



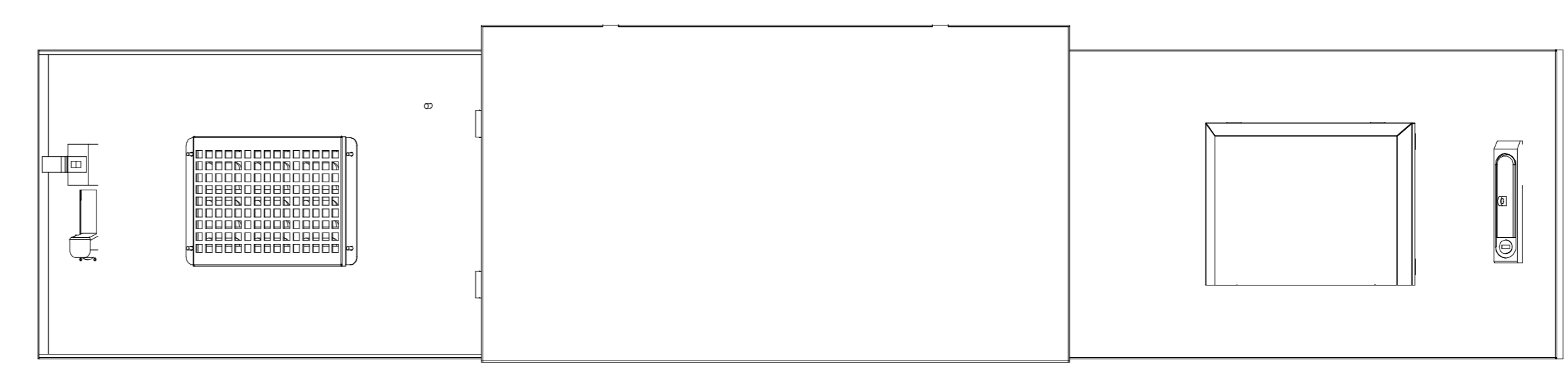
1xDC48V FAN

Side view



SLIDER

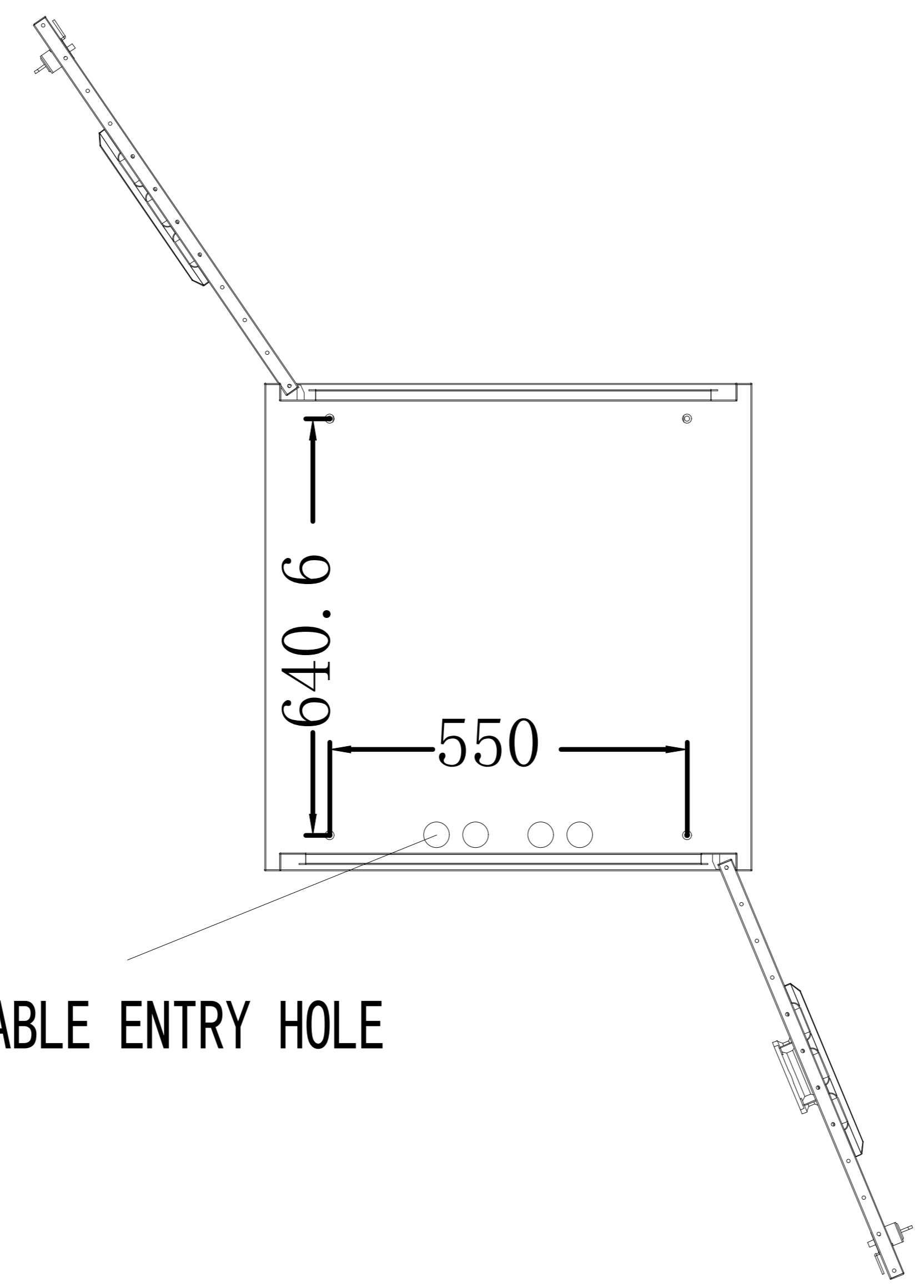
Front view



HANDLE

C

C



CABLE ENTRY HOLE

B

B

A

A

- NOTES:
 1. INSTALLATION SHALL COMPLY WITH ALL APPLICABLE NATIONAL, STATE AND LOCAL ELECTRICAL REGULATIONS.
 2. REFER TO PRODUCT DOCUMENTATION FOR ADDITIONAL DETAILS PRIOR TO INSTALLATION AND SITE PREPARATION WORK.
 3. ALL DIMENSIONS ARE IN MILLIMETERS [MM].

THE DRAWINGS AND SPECIFICATIONS HEREIN ARE THE PROPERTY OF MAXXWAVE AND SHALL NOT BE COPIED, REPRODUCED OR USED IN WHOLE OR IN PART, AS THE BASIS FOR THE MANUFACTURE OR SALE OF ITEMS WITHOUT WRITTEN PERMISSION FROM MAXXWAVE. THIS DRAWING IS BASED UPON LATEST AVAILABLE INFORMATION AND IS SUBJECT TO CHANGE WITHOUT NOTICE.



TITLE:		DWG NO.:	REV:A0
Outdoor Floor Mount Cabinet		MW-CAB20-DC48V	FIRST ANGLE PROJECTION
PROJECT:	Submittal Drawings	SHEET 2 OF 2	

6

5

4

3

2

1

A4