

# Quick Start Guide

---

## **BEC MX-200A ODU** **4G/LTE Outdoor Router**



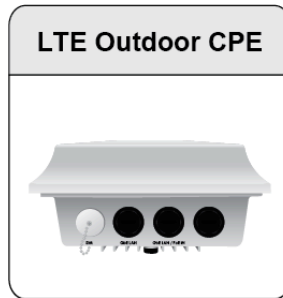


❖ PLEASE READ THE QUICK START GUIDE AND FOLLOW THE STEPS CAREFULLY. THIS QUICK START GUIDE WILL HELP YOU INSTALL THE DEVICE PROPERLY AND AVOID IMPROPER USAGE. IF YOU NEED MORE INFORMATION ON THIS SOFTWARE CONFIGURATION, PLEASE REFER TO THE USER MANUAL.

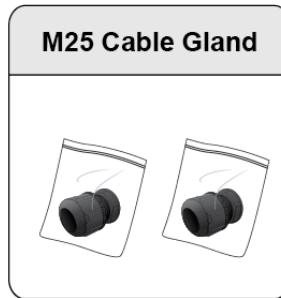
❖ INDUSTRIAL SIM IS RECOMMEND!

### Package Contents

- ✓ BEC MX-200A ODU x 1
- ✓ M25 Cable Gland x 2
- ✓ This Quick Start Guide x 1
- ✓ Outdoor LAN Cable x 1
- ✓ Gigabit PoE Injector x 1
- ✓ Grounding Wire x 1



LTE Outdoor CPE



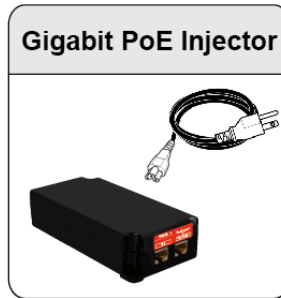
M25 Cable Gland



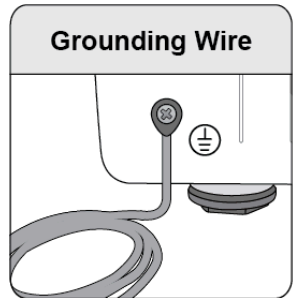
Quick Start Guide  
(This Document)



25ft Outdoor LAN Cable



Gigabit PoE Injector



Grounding Wire

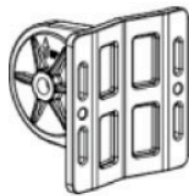
- ✓ The Mounting Kit x 1

### Mounting Kit Package contents

(#RT4R)



Articulation Pole x 1



T-formed Bracket x 1



M8x40  
Screw Bolts x 1



M8 Nut x 1



Washer  
M8 x 1  
M6 x 4



Spring Washer  
M8 x 1  
M6 x 4



M6x16  
Screw x 4



Wood Screw x 4  
Wood / Gyprock Plug x 4



W-Bar x 1



M6x60  
Screw Bolts x 2

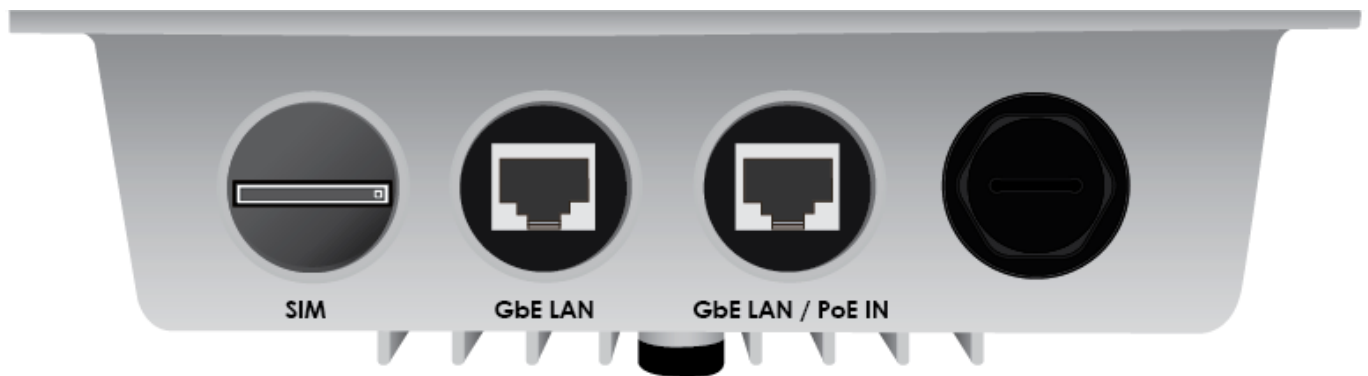


M6 Washer x 2  
Spring Washer x 2

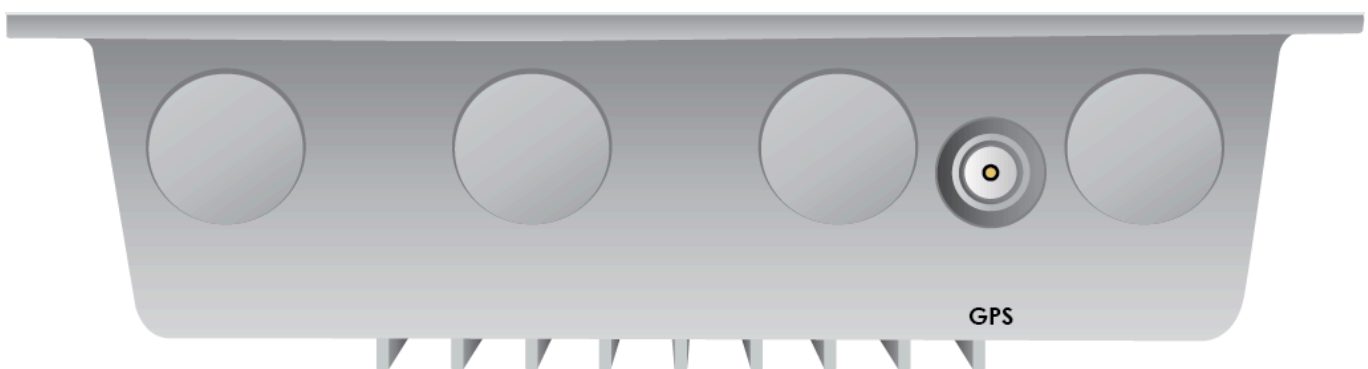


Stainless Hose Clamp x 2

## Hardware Overview



CONNECTORS	DESCRIPTION
<b>SIM</b>	Insert the SIM card into the SIM slot.
<b>Gigabit LAN</b>	Connect it with an Ethernet-enable device.
<b>Gigabit LAN / PoE IN</b>	Connect it with the supplied PoE injector, 802.3at compliant, using an Ethernet cable.

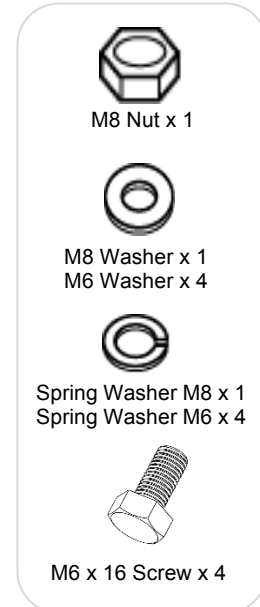
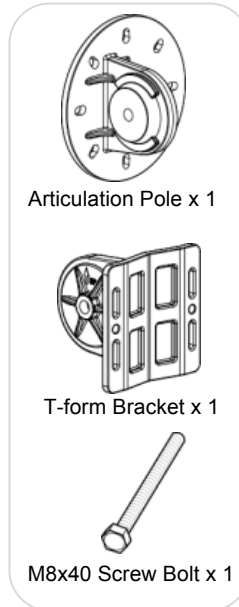


CONNECTORS	DESCRIPTION
<b>GPS</b>	Screw the GPS antenna onto the GPS antenna connector.

# Mounting Instructions

## Mounting Kit includes:

1. Articulation Pole x 1
2. T-formed Bracket x 1
3. Stainless Hose Clamp x 2
4. M8x40 Screw Bolt x 1
5. M8 Nut x 1
6. M8 Washer x 1
7. M6 Washer x 4
8. Spring Washer M8 x 1
9. Spring Washer M6 x 4
10. M6x16 Screw x 4



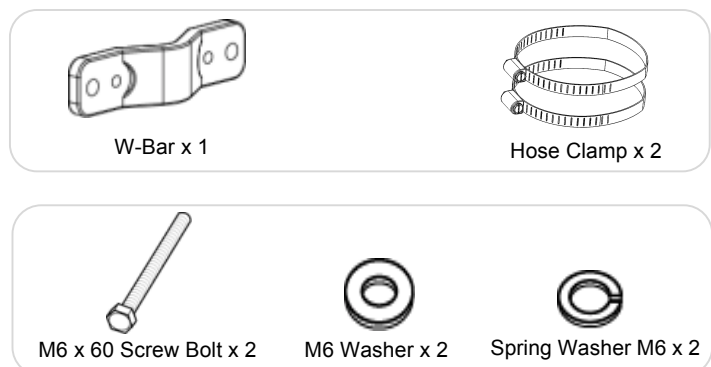
## For **Wall Mount Installation**, you'll need:

11. Wood Screw x 4
12. Wood / Gyprock x 4



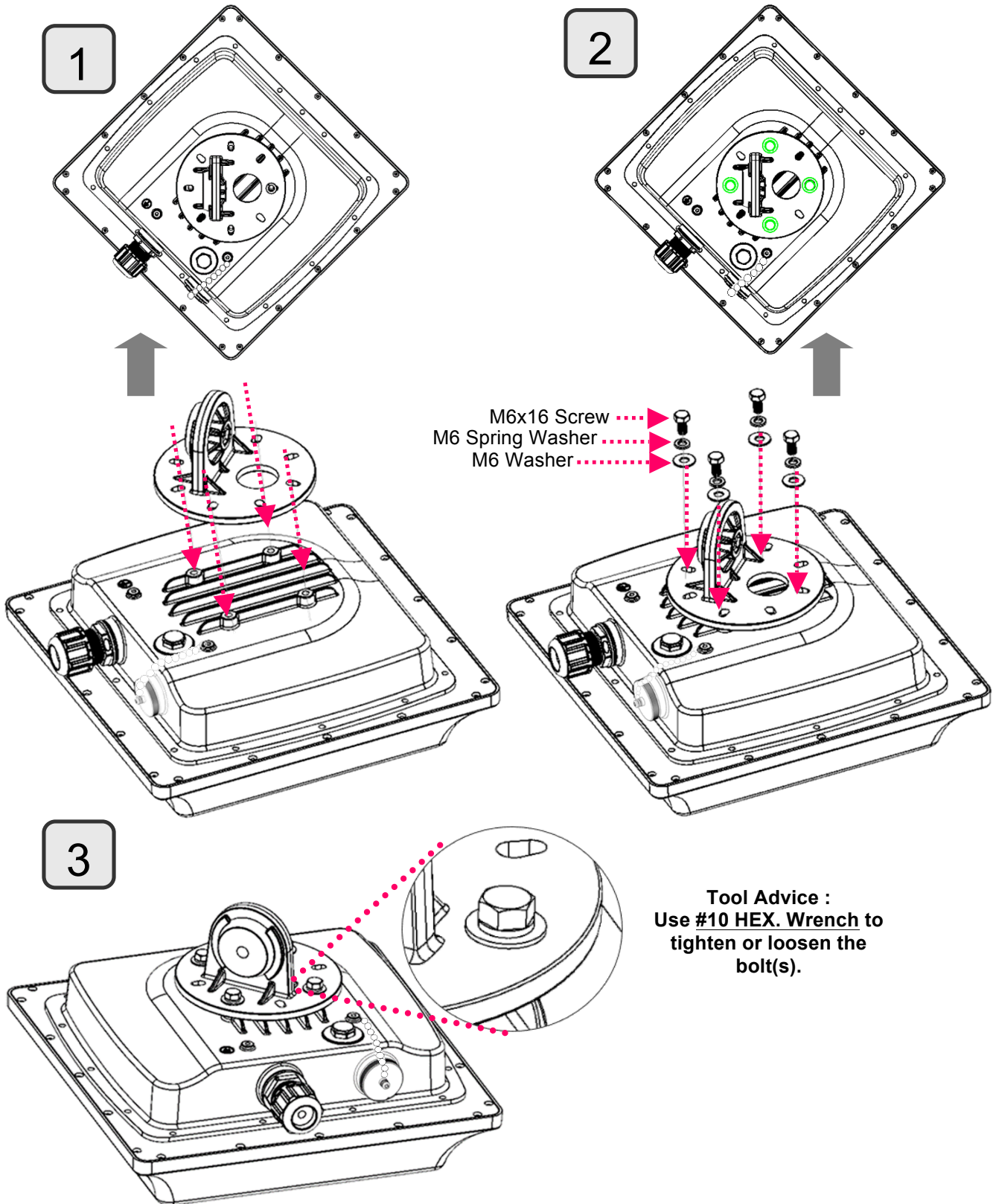
## For **Pole Mount Installation**, you'll need:

13. W-Bar x 1
14. M6 x 60 Screw Bolts x 2
15. M6 Washer x 2
16. Spring Washer x 2
17. Stainless Hose Clamp x 2



**1. Attach the Articulation Pole to the Enclosure**

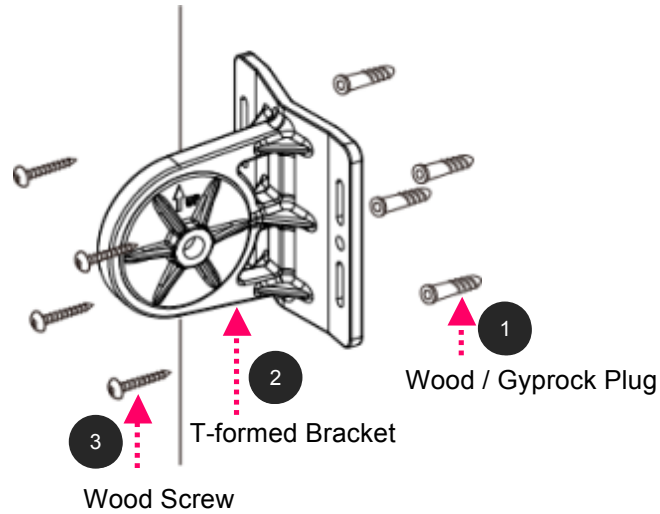
Attach the articulation pole to the back of the MX-200A ODU enclosure using the supplied **M6 screws**, **M6 spring washers** and **M6x16 screws** which are included in the mounting kit.



## 2. Wall or Pole Mount Installation

### 2.1 Mounting on Wall

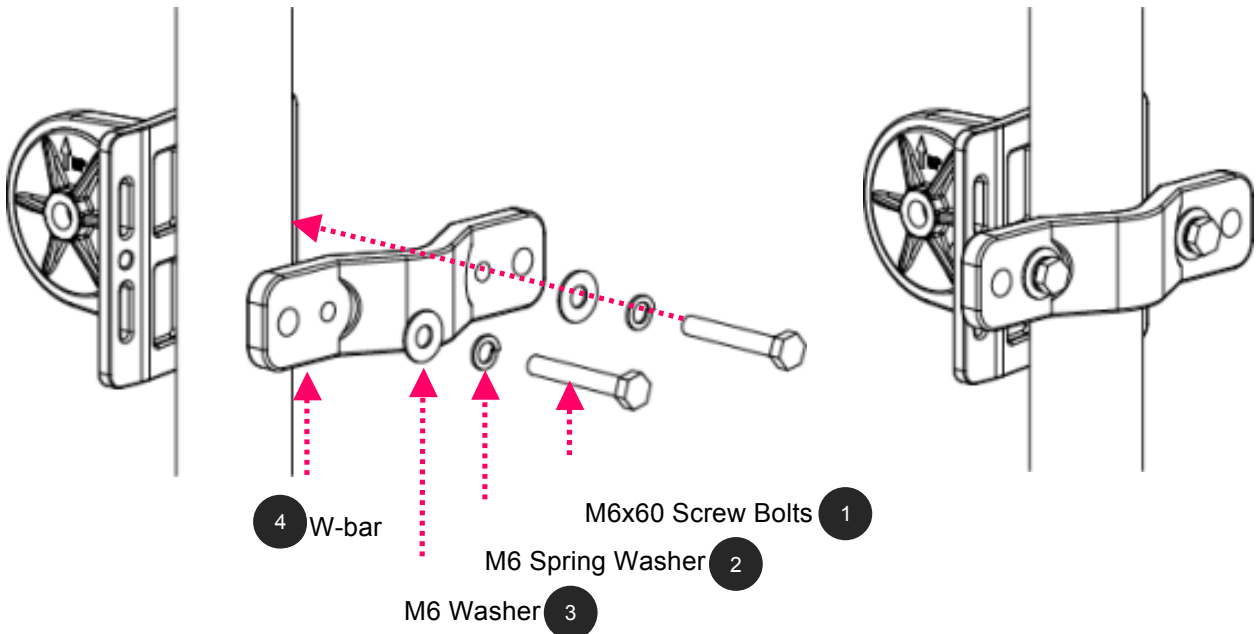
Fix the T-formed Bracket to the wall by using **wood screws** and **Gyprock plugs**.



### 2.2 Mounting on a Pole

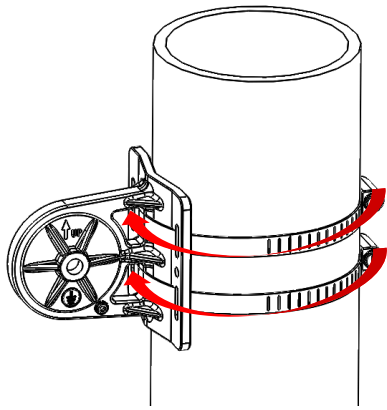
#### 2.2.1 Mounting for pole smaller than 1.5" (38mm)

Attach the T-formed Bracket and the W-bar to the pole then use **M6x60 bolts**, **M6 spring washers** and **M6 washers** to fix the mounting kit onto the pole.

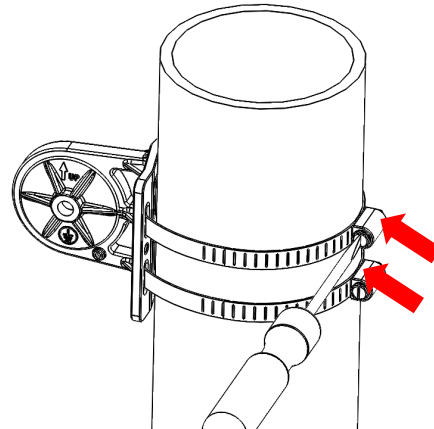


## 2.2 Mounting on a Pole (Cont.)

### 2.2.2 Mounting for Pole 3" (80mm) or above



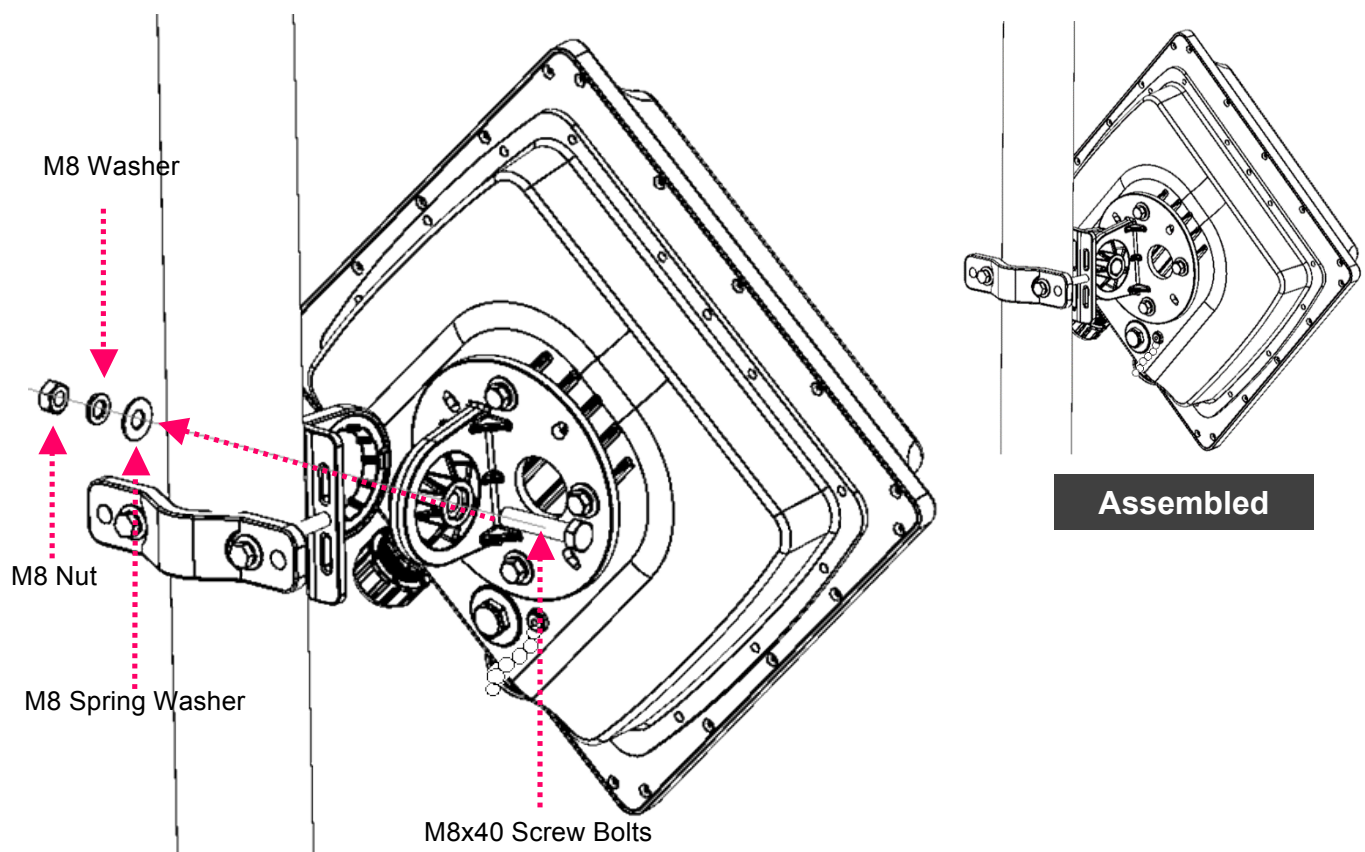
Use the stainless hose clamps through the T-formed Bracket.



Fix the T-formed Bracket to the pole by using the supplied stainless hose clamps. Use a flat-head screwdriver to turn the head of the screw clockwise to tighten it.

### 3. Install the Articulation Pole with the T-formed Bracket

Attach the articulation pole (BEC MX-200A ODU enclosure) to the T-formed bracket using the supplied **M8 nut**, **M8 spring washer**, **M8 washer** and **M8x40 screw bolts**.

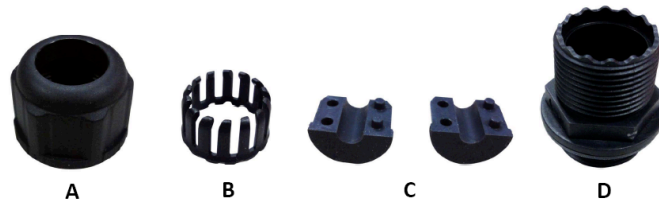




## Installation Instructions

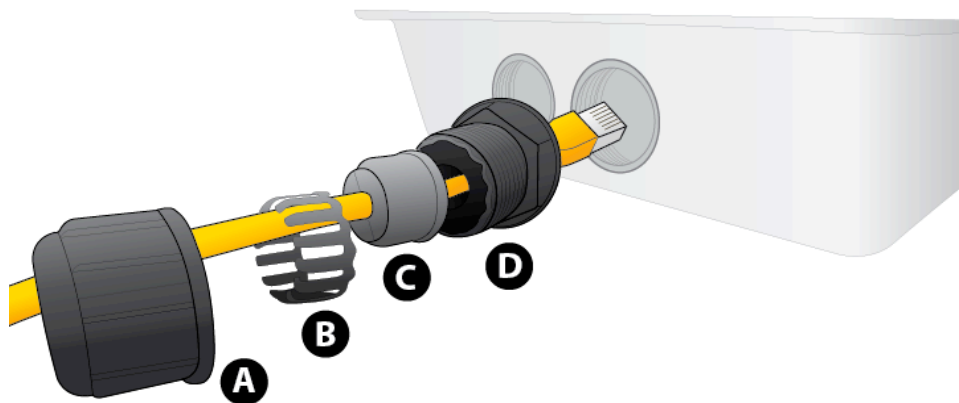
### 1. Power on your BEC MX-200A ODU

Step 1: Assemble M25 cable gland



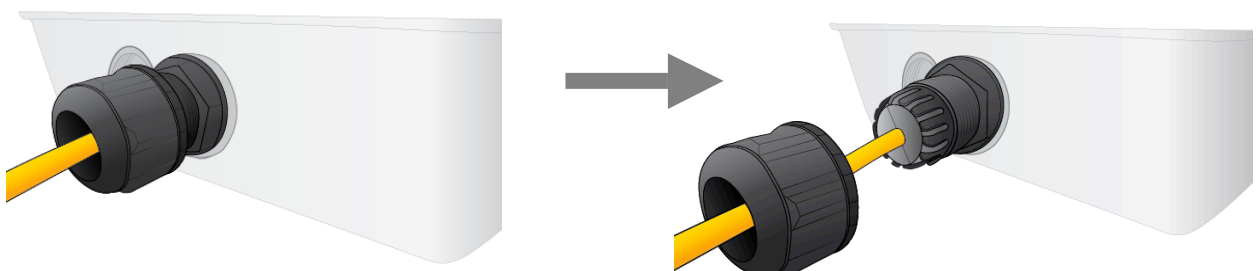
Step 2:

Unscrew the **GbE LAN/PoE IN** port and insert the supplied outdoor Ethernet cable (RJ-45) through material A-D, and then connect the RJ-45 Ethernet cable into the **GbE LAN/PoE IN** port.



Step 3:

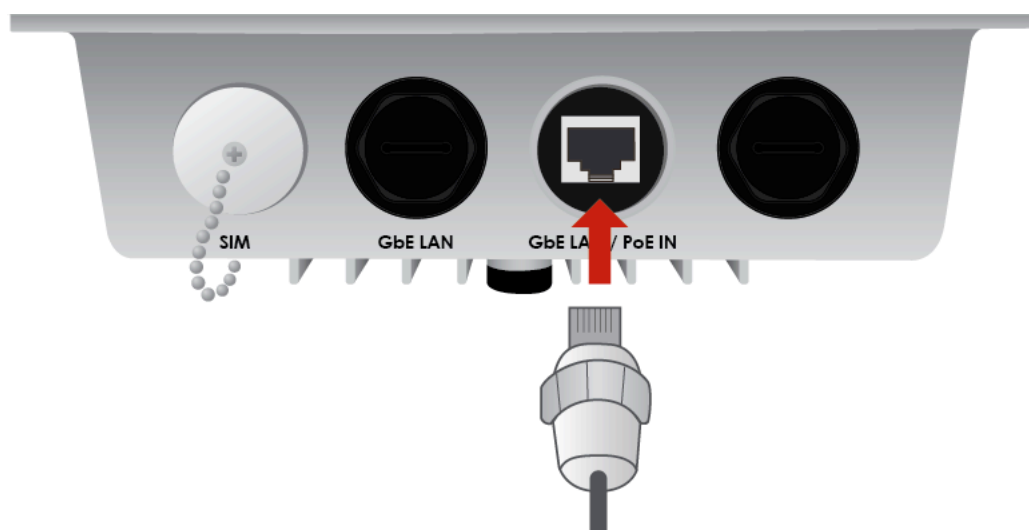
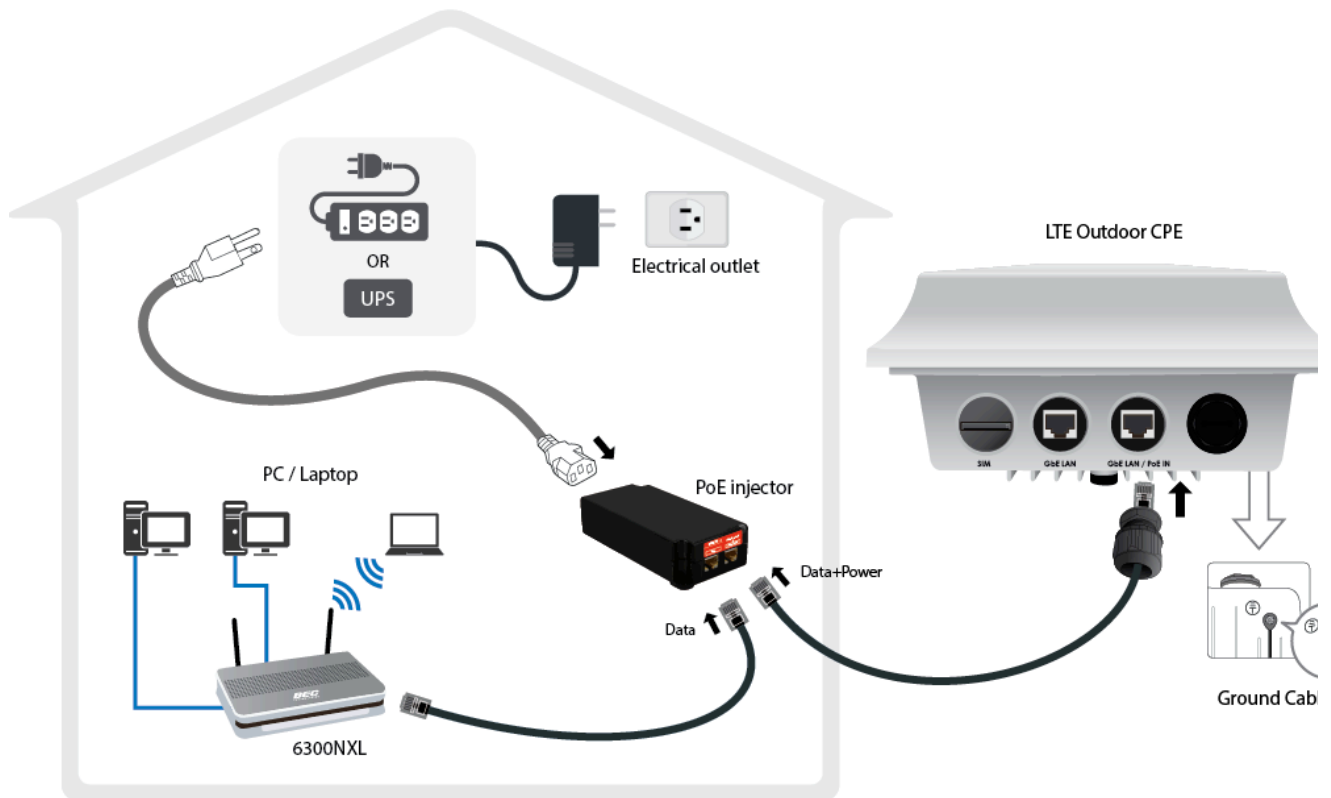
- 3.1: Insert (C) at the back end of (D)
- 3.2: clip (B) on (C)
- 3.3: keep (B) close to (D)
- 3.4: then tighten (A).



**Step 4:**

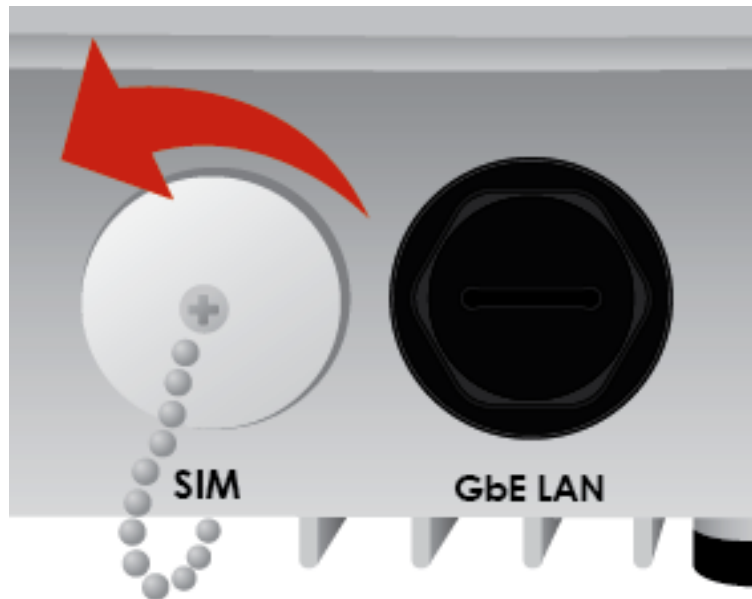
Insert the outdoor Ethernet cable (RJ-45) to the **GbE LAN/PoE IN** of MX-200 ODU then the other end of outdoor Ethernet cable (RJ-45) to the supplied Gigabit PoE injector **Data+Power** port. Connect another Ethernet cable (RJ-45) directly to the **Data** port and the other end of cable to a switch or broadband router.

**IMPORTANT: It is recommended to put the Gigabit PoE Injector on an UPS or Surge Protector. Use the supplied grounding wire to ground your BEC MX-200A ODU is REQUIRED!**



## 2. Set up your 4G/LTE Internet Connection

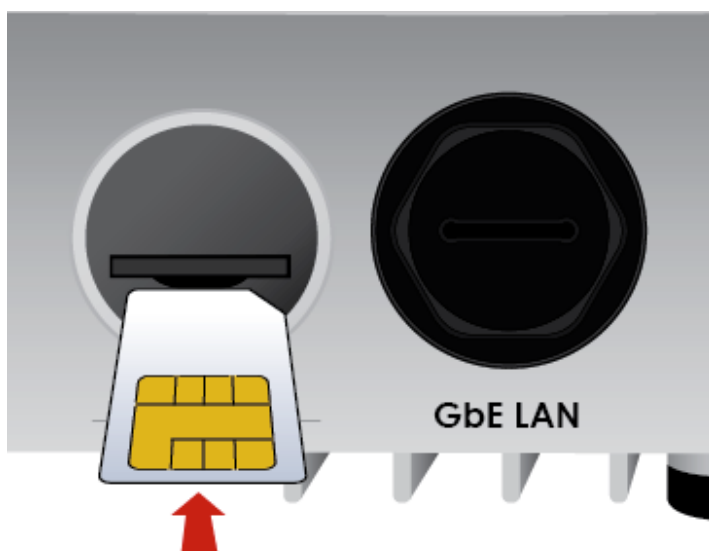
Step 1: Unscrew the cap of SIM card slot.



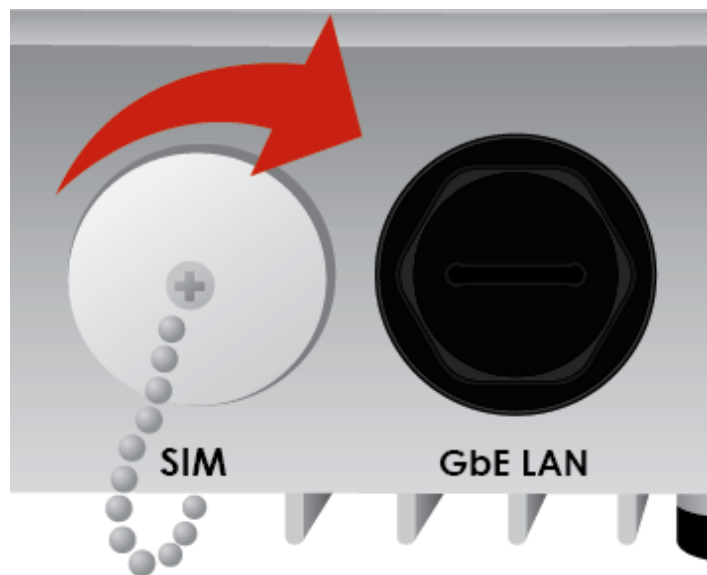
Step 2: Slide the SIM card with the metal contacts (gold plate) facing up to the SIM slot then push it all the way in until you hear the clicking sound.



**It is recommended to use an industrial-grade SIM card.**



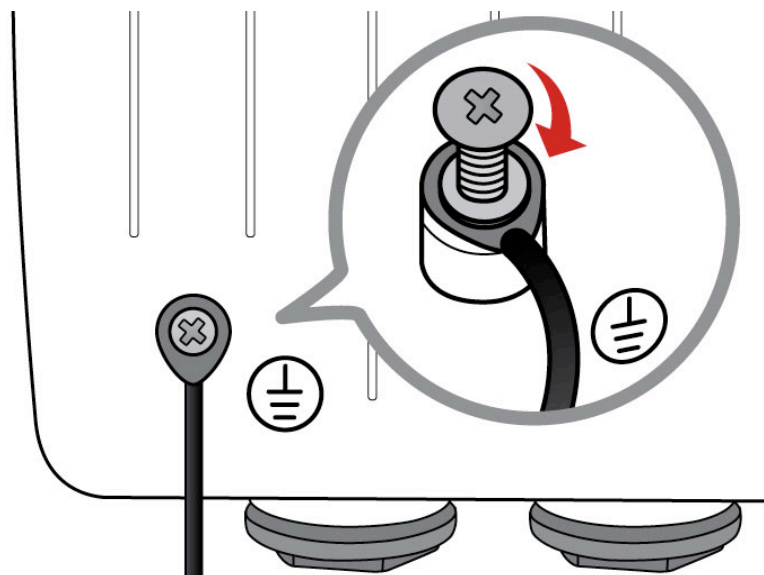
Step 3: Screw the cap back tightly.



**Please power off the device before inserting or removing the SIM card.**

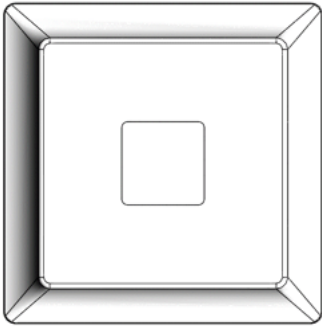
### 3. Grounding the BEC MX-200A ODU to Complete the Installation

Attach the grounding wire to the BEC MX-200A ODU and tighten the screw

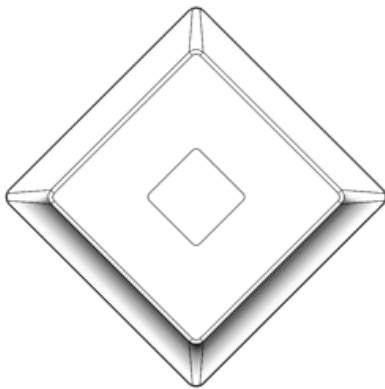
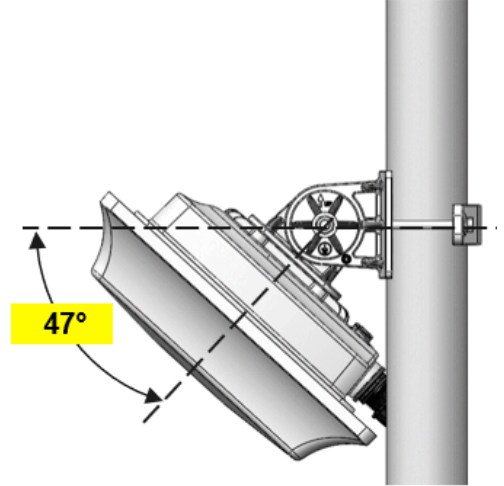
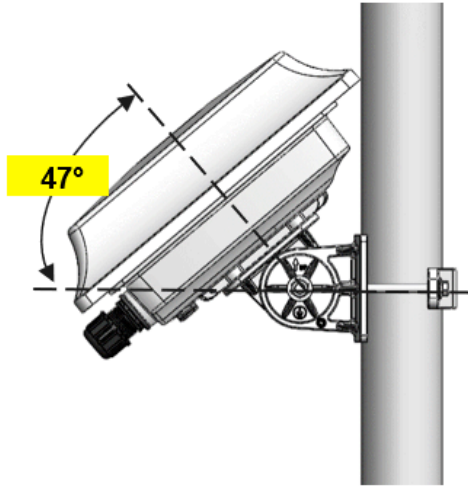


#### 4. Position Adjustment

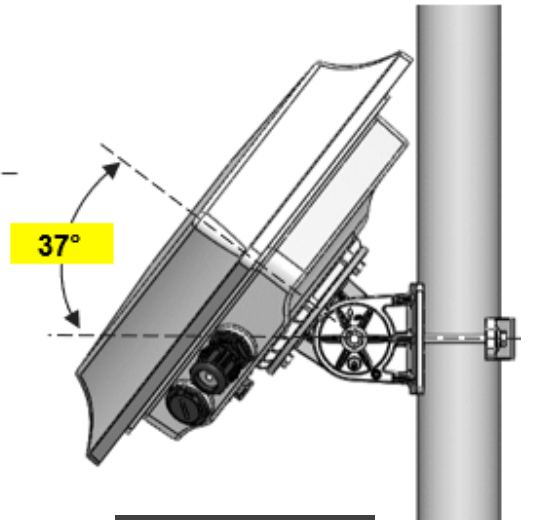
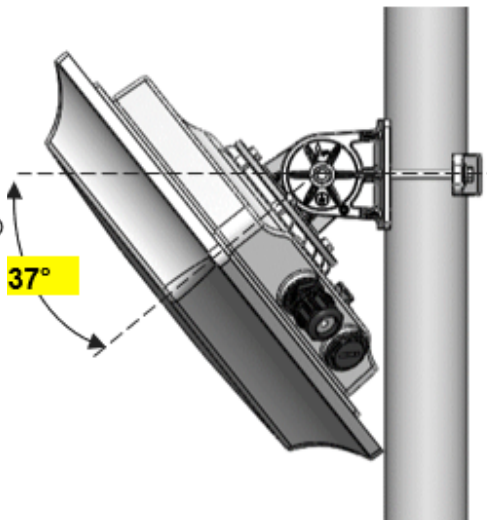
Adjust the MX-200A ODU until it reaches the desire elevation and depression angle, then tight the **M8 nut** (see **Install the Articulation Pole with the T-formed Bracket** for more information)



Max. upward angle: 47°  
Max. downward angle: 47°



Max. upward angle: 37°  
Max. downward angle: 37°

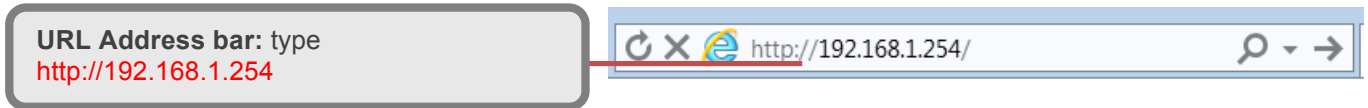


**Completed**

## Access and Configure Your BEC Device

The default IP of modem is **192.168.1.254** with subnet 255.255.255.0. Make sure the attached PC to this router is in the same subnet and has an IP address in the range between 192.168.1.1 ~ 192.168.1.253.

Open a web browser and type **http://192.168.1.254** in the URL address bar.



The login prompt will appear. Input the default username and password.

*\*This username / password may vary by different Internet Service Providers.*

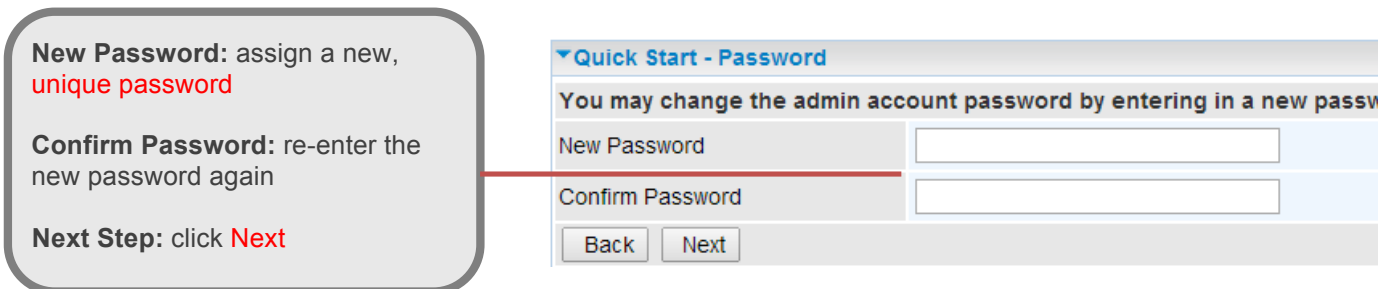
### Quick Setup Your Router

Use the **Quick Start** for fast connection setup.

#### Step 1: Change administration password

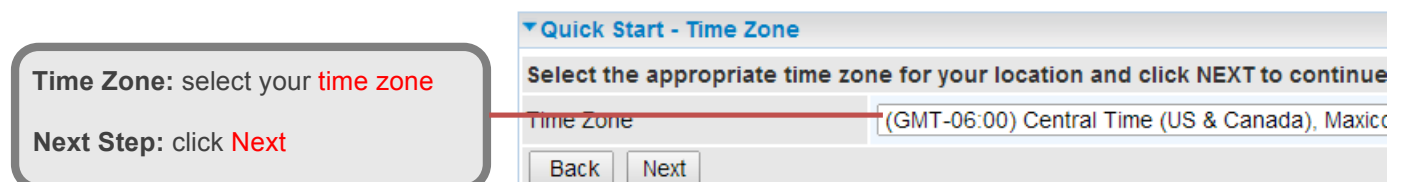
Setup a new password for “admin” account for device management. The default password is “admin”. Click Continue to go on to the next step.

*\*The password may vary by different Internet Service Providers.*



#### Step 2: Time Zone configuration

Enable and select your Time Zone then click Continue to go on to the next step.



**Step 4: WAN / Internet Connection Setup**

Select the appropriate WAN protocol then fill out the information provided by your ISP in all relevant parameters.

**(4G/LTE)** If select 4G/LTE to connect to the internet

**WAN Interface:** select **4G/LTE**  
**Next Step:** click **Next**

**Input all relevant parameters from your provider. Contact with your provider for further support.**  
**Net Step:** click **Next** to continue

**(WAN)** If select Ethernet WAN to connect to the internet.

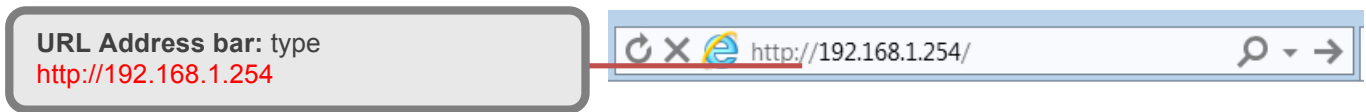
**Protocol:** select one of them  
 - **Dynamic IP Address** (Obtain an IP address automatically)  
 - **Static IP Address** (Manually assign an IP)  
 - **PPPoE**  
 - **Bridge Mode**  
**Net Step:** click **Next** to continue

**Step 5: Save Confirmation Settings**

Click “Next” to save and complete the Quick Setup. You should now be able to access to the Internet.

## Configure Your MX-200A ODU – Verizon & Sprint User Only

**Step 1:** Login to the BEC router web menu, BEC default IP is **http://192.168.1.254**

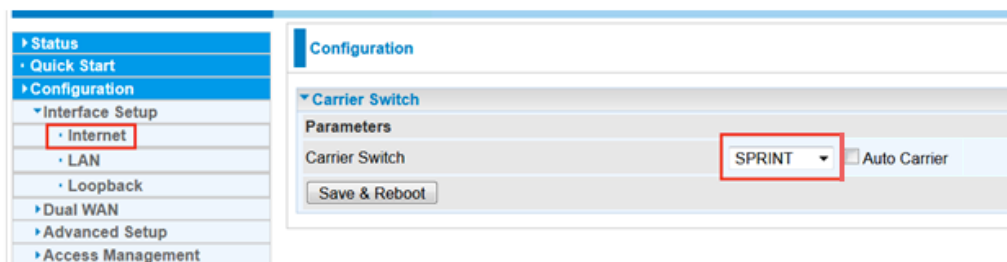


When the login prompt appear. Input the default username and password, **admin** and **admin**.  
\*This username / password may vary by different Internet Service Providers.

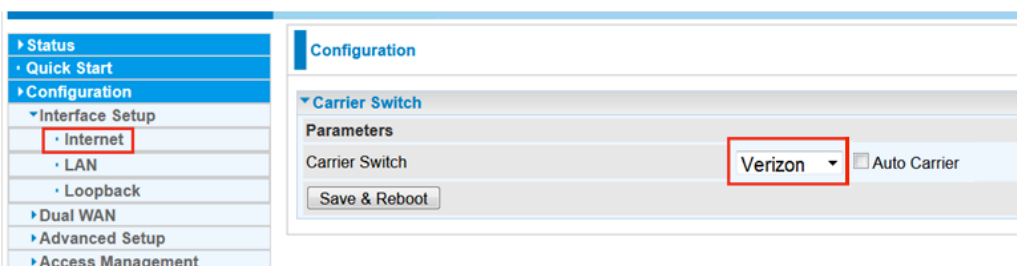
**Step 2:** Click **Configuration > Interface Setup > Internet** to make sure you:

1. **(Verizon Users):** Please ensure the **APN** is set to **vzwinternet** or another APN provided by VZW. Click **Save** to apply settings.
2. Verify the **Carrier Switch** selection is set for your carrier. If not, click the **Carrier Switch** link and select the **Carrier** from the drop-down selection. When finish, click **Save & Reboot** to apply the setting. Wait a few minutes.

### Sprint User



### Verizon User



**NOTE:** **Auto Carrier** (optional) will automatically detect the carrier.

**Step 3:** After the **Save & Reboot** completed, go back to **Configuration > Interface Setup > Internet**, verify the **Carrier Switch** is set to the selected carrier.

**Step 4:** If all is set correctly and the SIM is activated by Sprint or VZW, the device should gain Internet access.



## Troubleshooting

### 1. Cannot access to the Internet

Check the WAN status by logging to the GUI of the MX-200A ODU. Restart the device if needed; otherwise, please contact your local technical support.

### 2. You have forgotten your Router login and/or password.

Try the default login and password, please refer to User Manual or consult with your Internet Service Provider. If this fails, you can restore your router to its factory settings by holding the Reset button on the back of your router for 6 seconds or more. \*This username / password may vary by different Internet Service Providers.

## Product Support and Contact Information

Most problems can be solved by referring to the **Troubleshooting** section in the User Manual. If you have other inquiries or need further technical support, please contact with your Internet Service Provider or visit us at [www.bectechnologies.net](http://www.bectechnologies.net) or email us at [teamsupport@bectechnologies.net](mailto:teamsupport@bectechnologies.net)

## FCC Statement

This equipment has been tested and found to comply with the limits for a Class B digital device, pursuant to Part 15 of the FCC Rules. These limits are designed to provide reasonable protection against harmful interference in a residential installation. This equipment generates, uses, and can radiate radio frequency energy and, if not installed and used in accordance with the instructions, may cause harmful interference to radio communications. However, there is no guarantee that interference will not occur in a particular installation. If this equipment does cause harmful interference to radio or television reception, which can be determined by turning the equipment off and on, the user is encouraged to try to correct the interference by one or more of the following measures:

- ♦ Reorient or relocate the receiving antenna.
- ♦ Increase the separation between the equipment and receiver.
- ♦ Connect the equipment into an outlet on a circuit different from that to which the receiver is connected.
- ♦ Consult the dealer or an experienced radio/TV technician for help.

### **FCC Caution:**

This device complies with Part 15 of the FCC Rules. Operation is subject to the following two conditions:

- (1) This device may not cause harmful interference
- (2) This device must accept any interference received, including interference that may cause undesired operation.

Any changes or modifications not expressly approved by the party responsible for compliance could void the user's authority to operate this equipment. This device and its antenna(s) must not be co-located or operating in conjunction with any other antenna or transmitter.