

Product Overview

LEDs on E3226PC

Product Specification

Key Feature

Benefits

Physical Specification

Ordering Information

Product Overview

E3226PC Gigabit PoE switch is the next generation Ethernet switch offering powerful L2 and basic L3 features with better functionality and usability. In addition to the extensive management features, E3226PC also provides carrier Ethernet features such as 1588 PTPv2, of which make them suitable for carrier Ethernet applications.

E3226PC delivers 24 (10M/100M/1G) RJ45 with 24 PoE/PoE+ (Support 802.3 at/af, and total up to 740W) ports, 2 combo GbE RJ45/SFP ports and RJ45 console port. E3226PC provides high hardware performance and environment flexibility for industrial and carrier Ethernet applications.

The comprehensive Management features provide users with the benefits of easy-to-use/configure/install/troubleshoot in the video surveillance, wireless access, and other carrier applications. E3226PC is ideal to deliver management simplicity, better user experience.

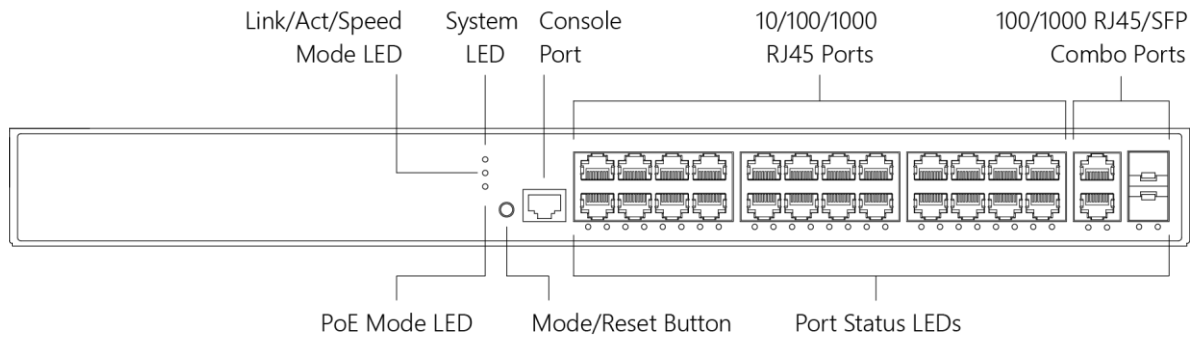


Figure 1 Front Interface of E3226PC

Name	Function
Link/Act/Speed Mode LED	All port LEDs on the switch indicate Link/Act/Speed status.
System LED	Indicates if the switch is powered up correctly or not, or, indicates if there is a system alarm triggered for troubleshooting.
Console Port	1 x Console Port (RJ45-to-DB9)
10/100/1000 RJ45 Ports	24 x 10/100/1000 Ports (RJ45)
100/1000 RJ45/SFP Combo Ports	2 x 100/1000 Combo Ports (RJ45/SFP)
PoE Mode LED	All port LEDs on the switch indicate PoE status.
Mode/Reset Button	Changes Port status LED Mode or Resets the switch.
Port Status LEDs	Indicates the current status of each port.

Table 1 Front Interfaces of E3226PC



Figure 2 Rear panel of E3226PC

LEDs on E3226PC

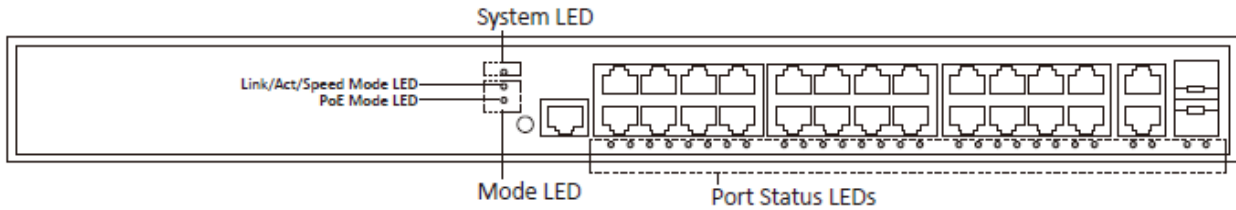


Figure 3 LEDs on the E3226PC

The LEDs on the front panel provide users with switch status checking and monitoring. There are three types of LEDs as follows:

- **System LED**

indicates if the switch is powered up correctly or not, or, indicates if there is a system alarm triggered for troubleshooting.

- **Mode LEDs**

indicates the mode of all ports on the switch. Users can press the Mode button sequentially to switch among the two different modes (Link/Activity/Speed mode and PoE mode).

- **Port Status LEDs**

indicates the current status of each port. Users can check these LEDs to understand the port status in different modes, after changing the mode by pressing Mode button.

The following table details the functions and descriptions of various LED indicators.

Label	Color	Status	Description
System	Green	On	The switch is powered ON correctly.
	Red	On	An abnormal state, such as exceeding operating temperature range, has been detected in the switch.
	Off		The switch is not receiving power.

Table 2 System LEDs

Label	Color	Status	Description
Link/Act/Speed	Green	On	The Port Status LEDs are displaying link status, network activity and speed of each port.
PoE	Green	On	The RJ45 Port Status LEDs are displaying PoE powering status of each port.

Table 3 Mode LEDs

By pressing the Mode button in less than 2 seconds to change LED modes (Link/Act/Speed Mode or PoE Mode), users can check the port status by reading the LED behaviors per the table below.

When Link/Act/Speed Mode LED Lit			
Label	Color	Status	Description
RJ45	Green	On	The port is enabled and established a link to connected device, and the connection speed is 1000Mbps.
	Green	Blinking	The port is transmitting/receiving packets, and the connection speed is 1000Mbps.
	Amber	On	The port is enabled and established a link to connected device, and the connection speed is 10/100Mbps.
	Amber	Blinking	The port is transmitting/receiving packets, and the connection speed is 10/100Mbps.
	Off		The port has no active network cable connected, or it is not established a link to connected device. Otherwise, the port may have been disabled through the switch user interface.
SFP	Green	On	The port is enabled and established a link to connected device, and the connection speed is 1000Mbps.
	Green	Blinking	The port is transmitting/receiving packets, and the connection speed is 1000Mbps.
	Amber	On	The port is enabled and established a link to connected device, and the connection speed is 100Mbps.
	Amber	Blinking	The port is transmitting/receiving packets, and the connection speed is 100Mbps.
	Off		The port has no active network cable connected, or it is not established a link to connected device. Otherwise, the port may have been disabled through the switch user interface.
When PoE Mode LED Lit			
Label	Color	Status	Description
RJ45	Green	On	The port is enabled and supplying power to connected device.
	Amber	On	An abnormal state, such as overload status, has been detected in the switch.
	Off		The port has no active network cable connected, or it is not connected a PoE PD device. Otherwise, the port may have been disabled through the switch user interface.

Table 4 Port Status LEDs

Product Specification

Key Feature

The E3226PC supports the following system features:

- IEEE 1588v2 PTPv2
- ITU-T G.8031 Ethernet Linear Protection Switching (EPS)
- ITU-T G.8032 Ethernet Ring Protection Switching (ERPS)
- IEEE 802.3ah OAM
- IEEE 802.1ag CFM (ITU-T Y.1731 Performance monitoring)
- DHCP Server
- IEEE 802.3af/at Power over Ethernet
- IPv4/IPv6 L3 static route

Benefits

- **Feature-rich Specifications to Support Various Applications**

The switch delivers extensive industrial and carrier grade functionalities, including ITU-T G.8031, ITU-T G.8032, IEEE 1588v2 PTP, OAM, CFM, etc. It also has enhanced L2/L3 features for better manageability and usability.

E3226PC provides advanced PoE features such as PoE auto-checking, PoE scheduling, and PoE power delay for users to manage the powered devices more easily. With extensive PoE+ mode configured.

It offers users with better price/performance ratio in industrial application and provide secure and reliable functionalities for metro/carrier Ethernet deployments.

- **Exceptional Precision with IEEE 1588v2 PTP**

The switch performs IEEE1588v2 PTP with transparent clock capability, implementations in hardware, so there is no performance penalty on packet processing.

The hardware architecture ensures low latency and high time accuracy – which is critical for delay-sensitive financial and mobile applications.

- **Superior Reliability through OAM and CFM for Service Assurance**

Service assurance is provided through a rich feature set of operations, administration, and maintenance (OAM) functionalities. It can simplify and facilitate the management of Carrier network, resulting in diminishing operational costs.

The Ethernet access device also offers standards-based fault and performance management in adherence with 1731 PM and 802.1ag connectivity fault management (CFM) standards.

These features contribute to significant reduction in operational expenditures and allows for troubleshooting without expensive truck rolls.

Physical Specification

Mechanics

Dimensions (W x H x D)	442 x 44 x 211 mm
Operating Temperature	0~40°C
Storage Temperature	-20~70°C
Operating Humidity Range	10~90% Non-condensing

Power Supply

Input Power(AC)	100-240VAC, 50~60Hz
PoE Power Capacity	Available Power 740W Each of port 1~24 support PoE(15.4W) /PoE+(30.0W) within available PoE power

Interface Parameter

Service Interface	24-port 10/100/1000Base-T (RJ45, with PoE)
Uplink Interface	2-port Combo 100M/1G (RJ45, SFP)
Console Port	1-Port (RJ45-to-DB8(RS232))

Ordering Information

Bases
<u>E3226PC</u> Fixed 24-Port 10/100/1000Base-T: 802.3at (PoE+ 30W)/802.3af (PoE 15.4W) 2-Port 1GE Combo (RJ45/SFP), 1-Port RS232 for Console, Single AC power