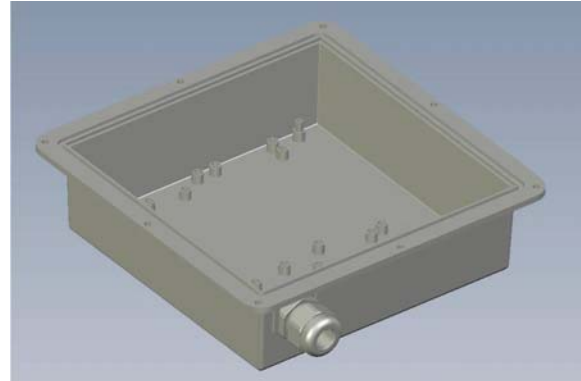


Introducing the NEW ARC Integrator from ARC Wireless Solutions

- Directly compatible with popular radios
- Cost effective integrated solution
- Numerous antenna options available



ARC Integrator Enclosure

ARC P/N ARC-IE1000K01

Compatible Radios

MikroTik

RouterBOARD 112
RouterBOARD 133c
RouterBOARD 500

PC Engines

WRAP 1C
WRAP 2B

Ubiquity

LS2
LS5

Zinwell

ZW2200

No additional hardware is required to mount these radios into the ARC Integrator Enclosure

Mechanical

Outer Dimensions (LxWxD)	8.6x8.6x2.93 in (218x218x74 mm)
Inner Dimensions (LxWxD)	7.04x7.04x2.25 in (178x178x57 mm)
Color	Light Gray
Material	Powder coated die-cast Aluminum
Mounting	1.0 to 3.0 in (25.4 to 76.2 mm) pole mount
Interface Control Drawing	ARC-ICD2421-01, Rev R1
Integrator Kit Contents	(1) ARC Integrator Enclosure (1) IP67 Gasket (8) Acorn Nuts and Star Washers for Integrator Antenna Mounting (4) #4 thread forming screws and 0.3in spacers for Radio Mounting (1) CAT5e Cable Gland Feedthrough (1) #4 thread forming screw for Grounding (1) High Strength Bracket Kit

Environmental

Operating Temperature	-40 to +85 °C (-40 to +185 °F)
Storage Temperature	-40 to +100 °C (-40 to +212 °F)
Ingress protection	IP67



ARC Integrator Solutions

Specification Sheet

ARC Integrator Antennas

Specifications	50 Series Panels	80 Series Panels	120 Series Panels	160 Series Panels	250 Series Panels
Mechanical/Environmental					
Dimensions, LxWxD	8.6x8.6x1.1 in 218x218x28 mm	10.5x10.5x1.1 in 267x267x28 mm	13x13x1.1 in 330x330x28 mm	15x15x1.1 in 381x381x28 mm	19x19x1.1 in 483x483x28 mm
902-928MHz					
ARC P/N		ARC-IA0910BXX		ARC-IA0913B01	ARC-IA0914B01*
Gain, typ.		10 dBi		12.5 dBi	14.3 dBi
3 dB Beamwidth, typ.		50°		42°	35°
Cross Polarization, max.		-25 dB		-20 dB	-20 dB
F/B Ratio, max.		-27 dB		-25 dB	-25 dB
Connector Options		SMA Plug (XX=01) MMXC Plug (XX=02) U.FL (XX=03)		SMA Plug	SMA Plug
2.4-2.5GHz					
ARC P/N	ARC-IA2413BXX*	ARC-IA2415BXX		ARC-IA2419B01	ARC-IA2421B01*
Gain, typ.	13 dBi	15 dBi		19 dBi	21 dBi
3 dB Beamwidth, typ.	38°	20°		18°	13°
Cross Polarization	-30 dB	-18 dB		-30 dB	-20 dB
F/B Ratio	-30 dB	-26 dB		-30 dB	-30 dB
Connector Options	SMA Plug (XX=01) MMXC Plug (XX=02) U.FL (XX=03)	SMA Plug (XX=01) MMXC Plug (XX=02) U.FL (XX=03)		SMA Plug	SMA Plug
3.3-3.8GHz					
ARC P/N		ARC-IA3515B01	ARC-IA3518B01	ARC-IA3520B01	
Gain, typ.		15 dBi	18 dBi	20 dBi	
3 dB Beamwidth, typ.		28°	18°	14°	
Cross Polarization		-30 dB	-22 dB	-30 dB	
F/B Ratio		-40 dB	-35 dB	-29 dB	
Connector Options		MCX Plug	MCX Plug	SMA Plug	
4.94-4.99GHz					
ARC P/N			ARC-IA5823B01	ARC-IA4923B01	
Gain, typ.			19 dBi	23 dBi	
3 dB Beamwidth, typ.			10°	9°	
Cross Polarization			-30 dB	-30 dB	
F/B Ratio			-40 dB	-40 dB	
Connector Options			SMA Plug	SMA Plug	
5.15-5.875GHz					
ARC P/N	ARC-IA5818B01*	ARC-IA5820B01	ARC-IA5823B01		
Gain, typ.	18 dBi	20 dBi	23 dBi		
3 dB Beamwidth, typ.	18°	16°	10°		
Cross Polarization	-24 dB	-25 dB	-30 dB		
F/B Ratio	-35 dB	-30 dB	-40 dB		
Connector Options	SMA Plug	SMA Plug	SMA Plug		

*Special order only, contact your sales representative for pricing and lead times