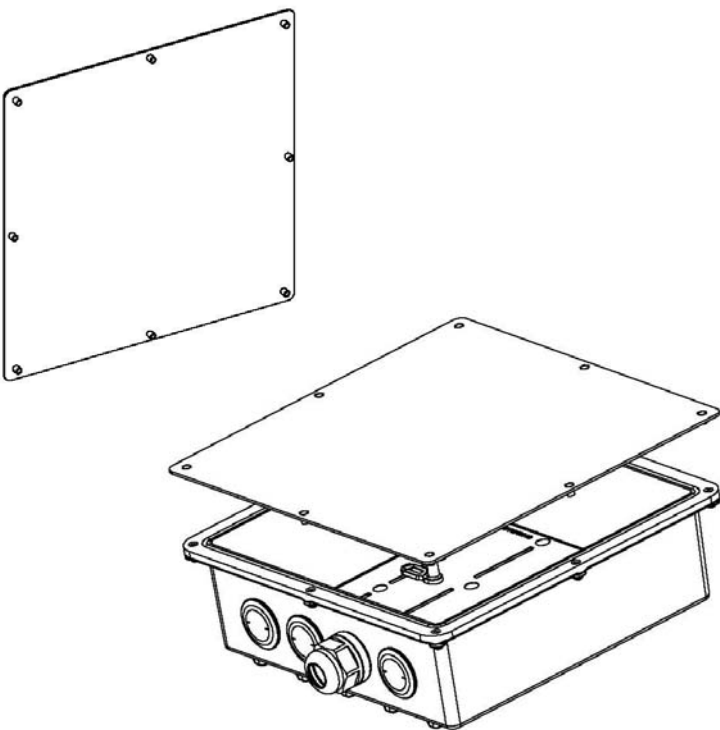


# Cover Plate for the ARC IES™ GEN II Integrated



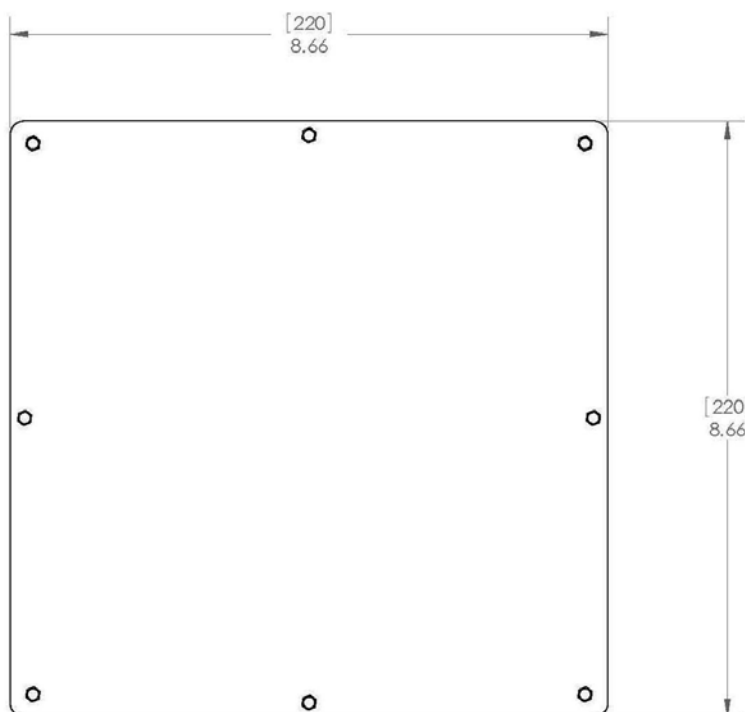
- ◆ **Accessory Kit for the ARC IES™ GEN II Integrated Enclosure Solution**
- ◆ **Kit Includes**
  - **10 Powder Coated Aluminum Cover Plates with pressed in standoffs for easy attachment to the ARC IES™ GEN II Enclosure**
- ◆ **Color and Texture match to the ARC IES™ GEN II Enclosure**

Environmental Specs	
Outer Dimensions Length x Width x Thickness	8.7in x 8.7in x 0.060/0.080in (22.1cm x 22.1cm x 0.15/0.2cm)
Material	Aluminum
Finish	Powder Coated
Color	Color match to Enclosure

Ordering Information	
Part #	Description
ARC-IX2200B01	ACCESSORY, ARC IES™ GEN II, 0.060" THK COVER PLATE WITH STANDOFFS
ARC-IX2200B02	ACCESSORY, ARC IES™ GEN II, 0.080" THK COVER PLATE WITH STANDOFFS

ARC-IX2200B01

ARC-IX2200B02



ARC-IX2200B01 - Shipping Information	
Sizes and Weights	Description
10in x 10in x 4in (25.4cm x 25.4cm x 10.2cm) 6lb, (2.7kg)	Bulk pack includes 10 0.060" thick Cover Plates in an over pack box

ARC-IX2200B02 - Shipping Information	
Sizes and Weights	Description
10in x 10in x 4in (25.4cm x 25.4cm x 10.2cm) 7lb, (3.2kg)	Bulk pack includes 10 0.080" thick Cover Plates in an over pack box